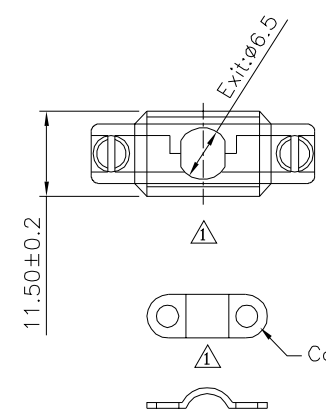
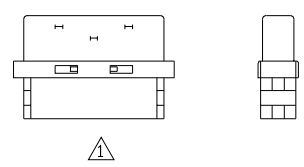
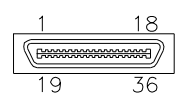


Termination Cover(2 PCS)



△ SPECIFICATION

Current Rating:0.5 Amp
 Dielectric Withstanding Voltage:250V AC
 Insulation Resistance:>500 Megaohms Min.
 Contact Resistance:35 Milliohms Max.
 Operation Temperature:-55°C To +85°C
 Housing And Cover:PBT+G.F(UL94V-0),Black
 Contact:Phosphor Bronze,Selective Gold Plated 30u"
 Over Nickel
 Back Shell:Zinc Alloy,Nickel Plated Over Copper
 Shell:Steel,Nickel Plated Over Copper
 Jackscrews:Steel,Nickel Plated Over Copper
 Cable Clipper:Steel,Nickel Plated Over Copper
 Flat Screws:Steel,Nickel Plated Over Nickel
 RoHS Compliant

4UCON 元化興業股份有限公司
 4UCON TECHNOLOGY INC.

DRAWING No.		APPROVED BY		UNLESS OTHERWISE SPECIFIED TOLERANCES ARE .X ±0.38 .XX ±0.25 ANG.
12107		MEI		
		HZF		
SCALE		REV.		UNIT
NONE		A1		mm

NO.	REV.	REVISIONS	CHK	DATE
△ A1		Modify Data	HZF	05/26/2014
△ A0		NEW RELEASE		