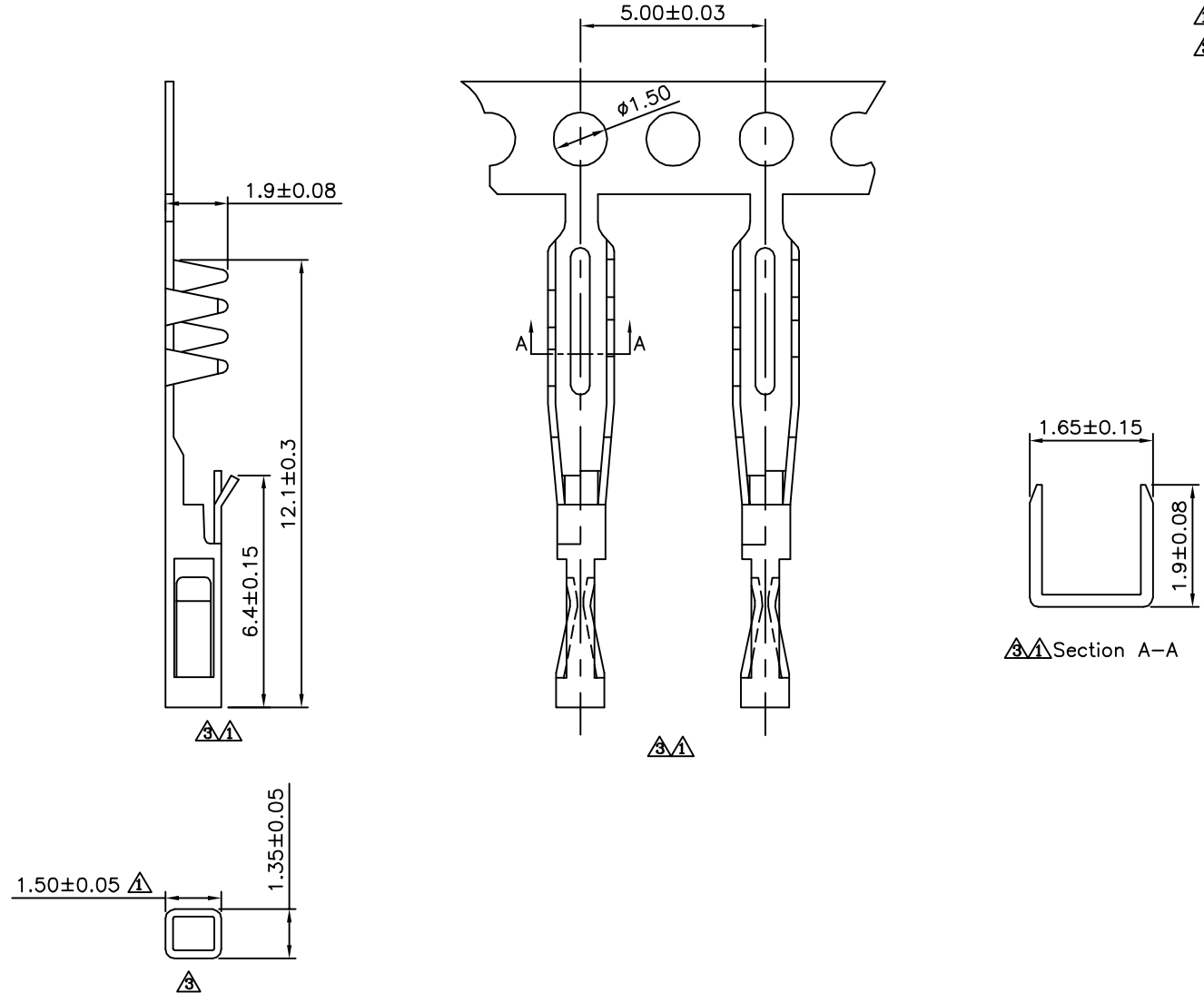


△ SPECIFICATION

△ Material: Phosphor Bronze, Tin Plated Over Nickel
 Q'ty: 15000 PCS/Reel
 RoHS Compliant



4UCON 元化興業股份有限公司
 4UCON TECHNOLOGY INC.

DRAWING No.		APPROVED BY		UNLESS OTHERWISE SPECIFIED TOLERANCES ARE △ X: ±0.5 △ XX: ±0.25 △ XXX: ±0.2 △ XXXX: ±0.08
14005		EMILY		
		CHECKED BY		
		HZF		
		DRAWING BY		
		CYP		
SCALE	NONE	REV.	A3	UNIT
				mm

NO. REV.	REVISIONS	CHK	DATE
△ A3	Modify Data	HZF	07/20/2015
△ A2	Modify Data	HZF	02/13/2014
△ A1	Modify Data	HZF	01/22/2013
△ A0	NEW RELEASE	BECKY	2004/07/13