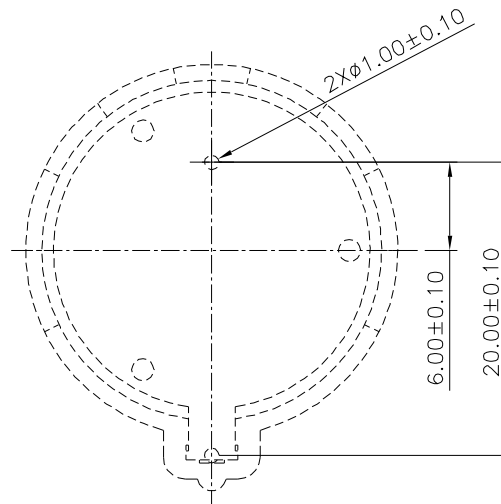
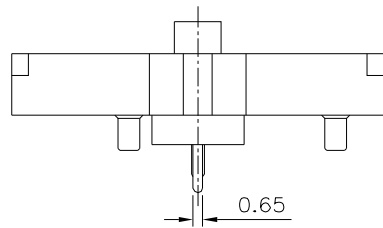
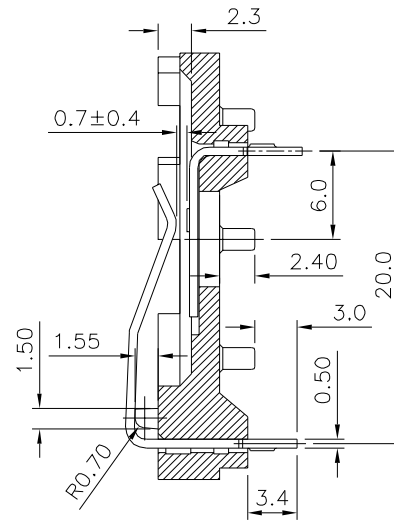
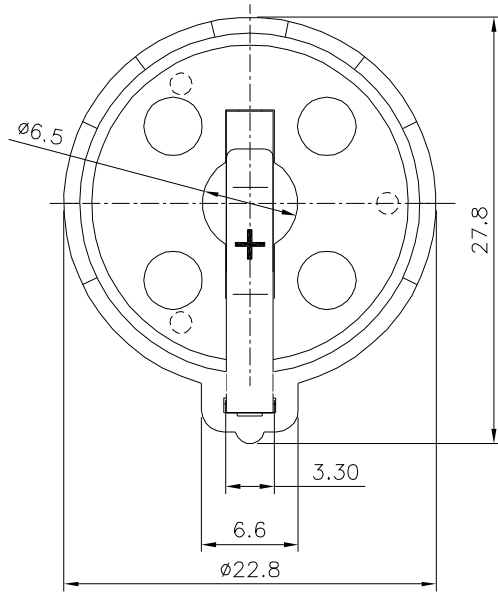


SPECIFICATION

Housing:PBT+30%G.F.(UL94V-0),Black
 Contact:Phosphor Bronze,Tin Plated Over Nickel
 Battery Dim.:D=19.8,T=3.2
 RoHS Compliant



Recommend P.C.B. Layout(Component Side)

4UCON 元化興業股份有限公司
 4UCON TECHNOLOGY INC.

DRAWING No.		APPROVED BY		UNLESS OTHERWISE SPECIFIED TOLERANCES ARE .X ±0.20 .XX ±0.13 .XXX ±0.05 ANG. ±2°
15728		MEI		
		HZF		
		DRAWING BY		
		CYP		
SCALE	NONE	REV.	B0	UNIT mm

NO.	REV.	REVISIONS	CHK	DATE
△ B0		NEW RELEASE	HZF	10/23/2017