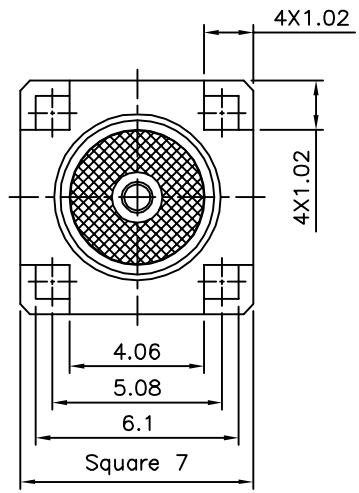
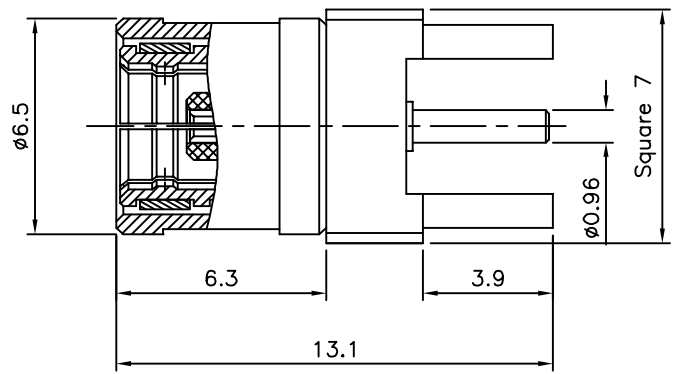


Recommended P.C.B. Layout



RoHS Compliant

No.	Description	Material	Q'ty	Finish
05	Body	Brass	1	Gold Plated Over Nickel
04	Center Pin	Beryllium Copper	1	Gold Plated Over Nickel
03	Insulator	Teflon	1	—
02	Inner Retaining Ring	Beryllium Copper	1	Gold Plated Over Nickel
01	Shell	Brass	1	Gold Plated Over Nickel

4UCON 元化興業股份有限公司
4UCON TECHNOLOGY INC.

DRAWING No.		APPROVED BY		UNLESS OTHERWISE SPECIFIED TOLERANCES ARE X. ±0.2 .X ±0.2 .XX ±0.2
18064		EMILY		
		CHECKED BY		
		HZF		
		DRAWING BY		
		SAN		
SCALE	NONE	REV.	A0	UNIT
				mm

NO.	REV.	REVISIONS	CHK	DATE
△ A0		NEW RELEASE	HZF	10/16/2013