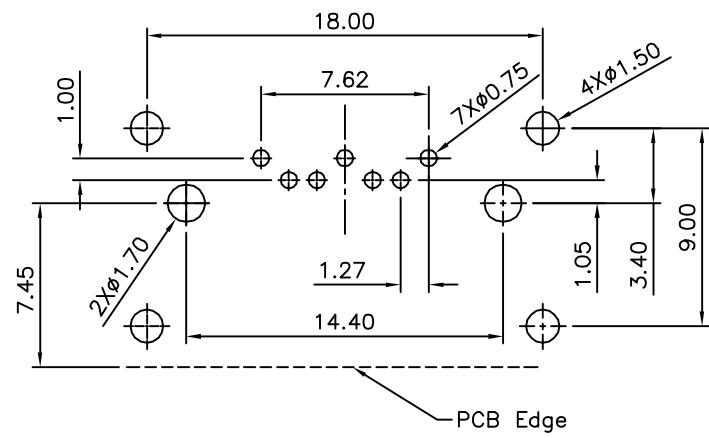
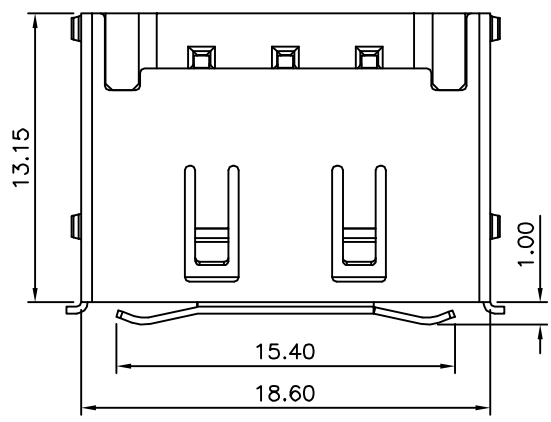
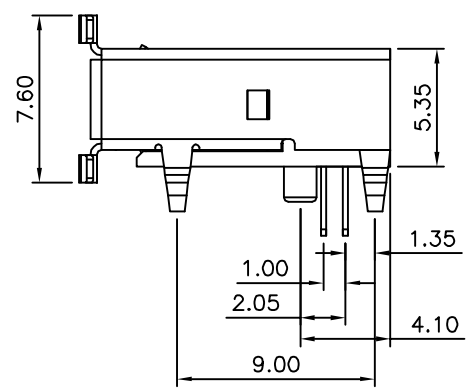
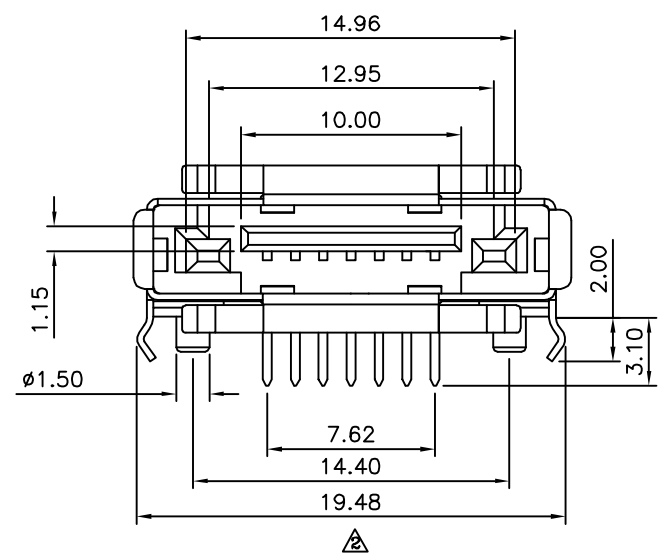


SPECIFICATION

Current Rating:1.5 Amp Per Contact
 Contact Resistance:30 Milliohms Max.
 Insulation Resistance:1000 Megohms Min.
 Dielectric Withstanding Voltage:500V DC
 Operation Temperature:-40°C~+85°C
 Base:LCP(UL94V-0),Black
 Contact:Copper Alloy
 Gold Flash On Contact Area,
 Misty Tin Plated On Solder Tails,
 Over Nickel
 Shell:Copper Alloy,Nickel Plated
 RoHS Compliant



Recommended P.C.B. Layout



4UCON 元化興業股份有限公司
 4UCON TECHNOLOGY INC.

DRAWING No.		APPROVED BY		UNLESS OTHERWISE SPECIFIED TOLERANCES ARE .X ±0.30 .XX ±0.25 ANG. ±3°
18660		EMILY		
		CHECKED BY		
		HZF		
		DRAWING BY		
		WSS		
SCALE	NONE	REV.	A2	UNIT
				mm

NO.	REV.	REVISIONS	CHK	DATE
△A2		Modify Data	HZF	01/18/2012
△A1		Modify Data	HZF	12/13/2011
△A0		NEW RELEASE	HZF	08/25/2010