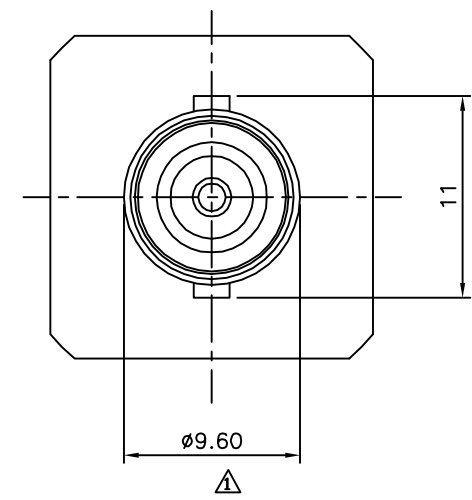
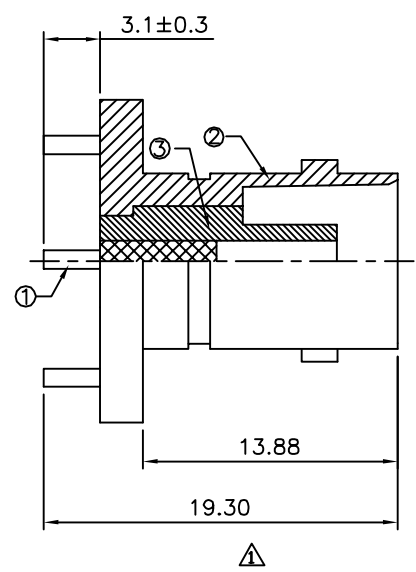
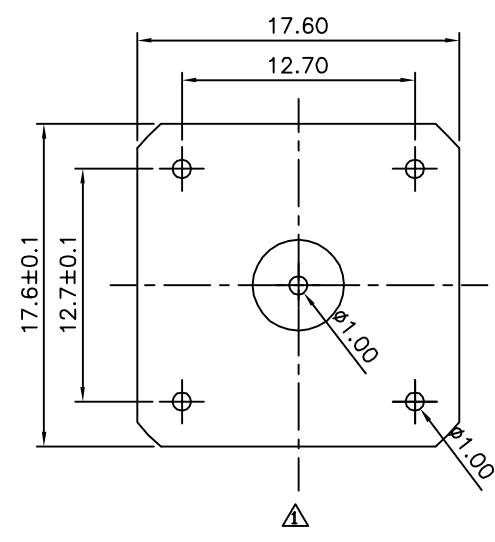


**△ SPECIFICATION**  
 Impedance:75 Ohms  
 ① Center Contact:Phosphor Bronze,  
 Gold Flash Over Nickel  
 ② Body:Zinc Alloy,Nickel Plated  
 ③ Insulator:TPX  
 RoHS Compliant



**4UCON** 元化興業股份有限公司  
 4UCON TECHNOLOGY INC.

DRAWING No.		APPROVED BY		UNLESS OTHERWISE SPECIFIED TOLERANCES ARE X. ±0.5 .X ±0.3 .XX ±0.2 △ ANG. ±3°
19300		EMILY		
		CHECKED BY		
		HZF		
		DRAWING BY		UNIT mm
		SONG		
SCALE	NONE	REV.	A1	

NO.	REV.	REVISIONS	CHK	DATE
△ A1		Modify Data	HZF	03/05/2015
△ A0		NEW RELEASE	HZF	05/22/2011