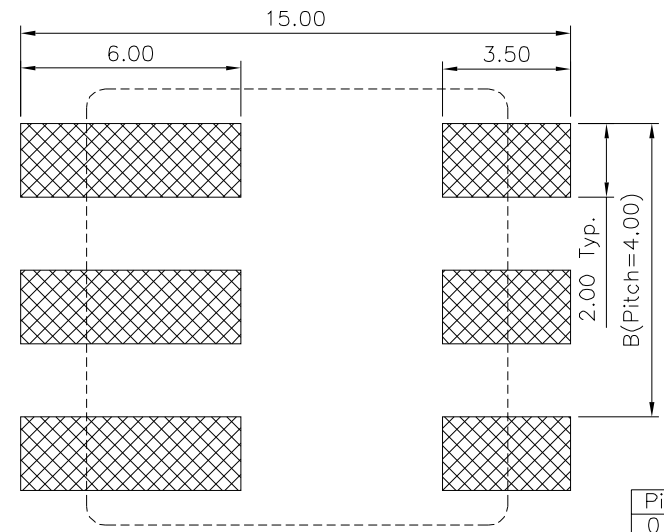
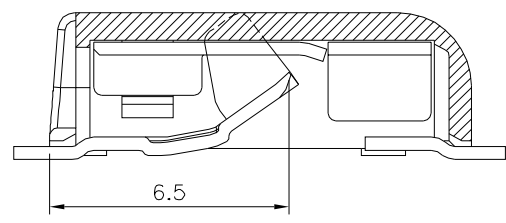
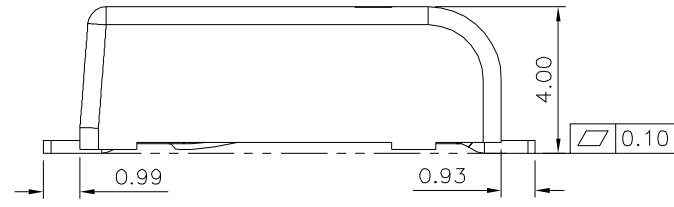
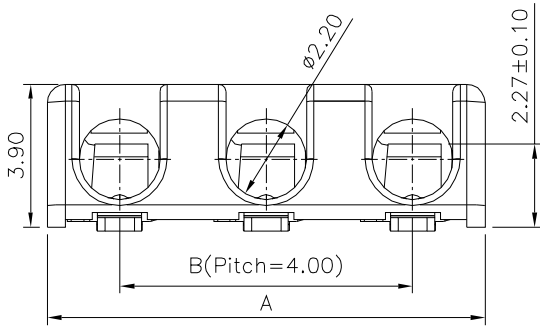
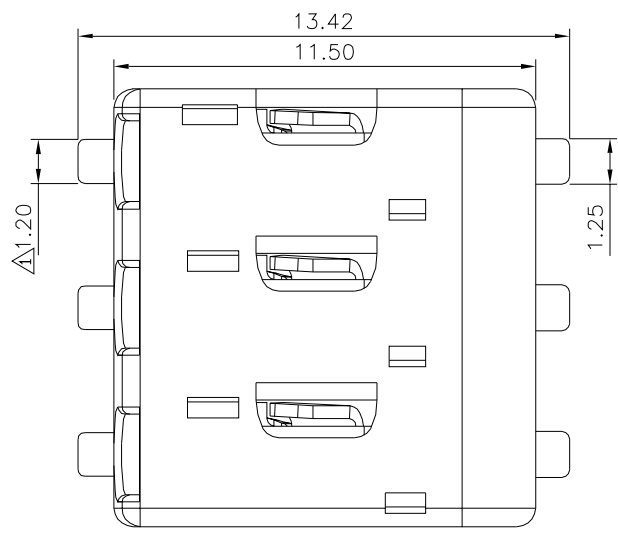


△ SPECIFICATION
 Current Rating: 3.0~9.0 Amp
 Withstand Voltage: 500V AC
 Voltage Rating: 600V(1Pin), 250V(2~3Pin)
 Contact Resistance: 20 Milliohms Max.
 Insulation Resistance: 1000 Megohms Min.
 Operation Temperature: -40°C~+105°C
 Applicable Wire Range: Solid Wire: AWG #20~#18
 Strand Wire: AWG #20~#18
 Contact: Phosphor Bronze, Tin Plated Over Nickel
 Main Body: LCP, Nature
 Note: Multicore Copper Wire: Tightening And Tin Plated, Then Assemble
 RoHS Compliant



Pin	A	B
01	3.95	4.00
02	7.90	
03	11.95	8.00

Recommended P.C.B. Layout (Top Side)
 (PCB Board Tolerance ±0.05)

4UCON 元化興業股份有限公司
 4UCON TECHNOLOGY INC.

DRAWING No.		APPROVED BY		UNLESS OTHERWISE SPECIFIED TOLERANCES ARE .X ±0.40 .XX ±0.25 .XXX ±0.15 ANG. ±3°
20869		MEI		
		CHECKED BY HZF		
		DRAWING BY CYP		UNIT mm
SCALE	NONE	REV.	A1	

NO.	REV.	REVISIONS	CHK	DATE
△ A1		Modify Data	HZF	12/16/2020
△ A0		NEW RELEASE	HZF	07/27/2015