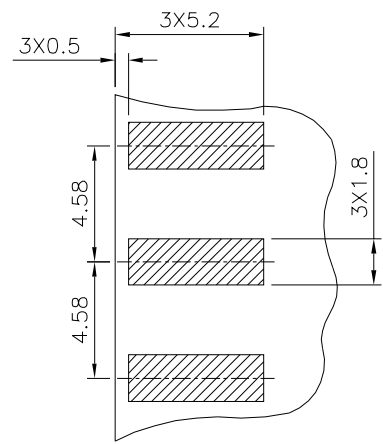
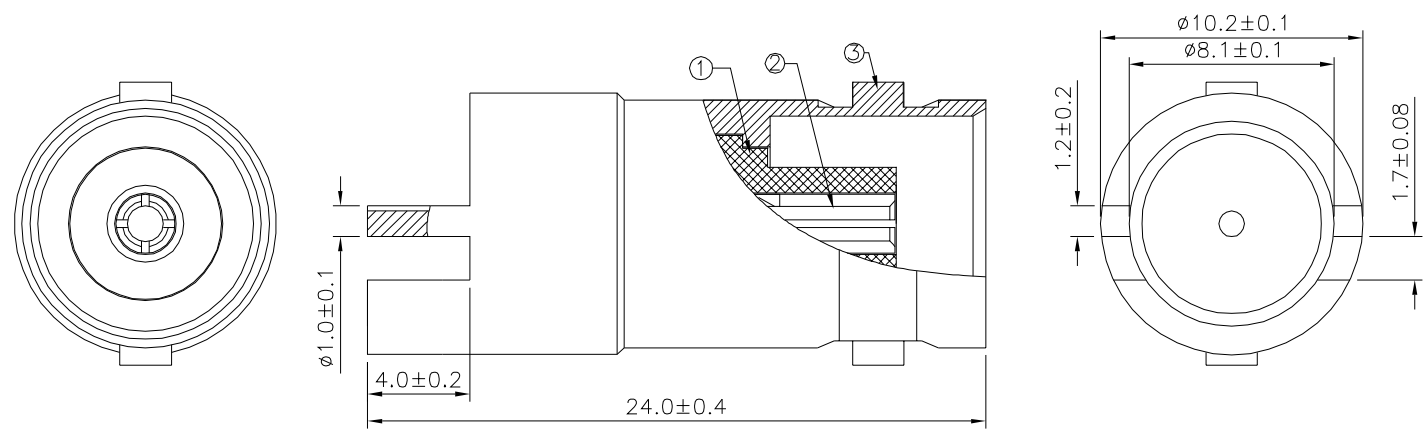
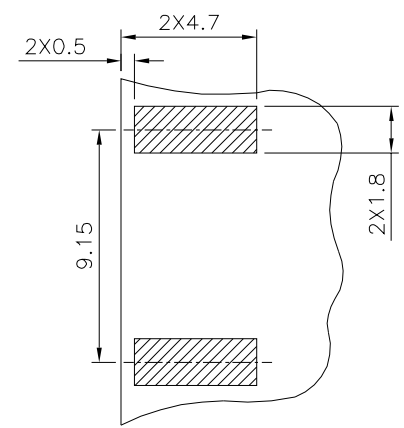


SPECIFICATION
 Impedance:50 Ohms
 RoHS Compliant



Top Surface Of PCB



Bottom Surface Of PCB

No.	Material	Remark
①	Teflon	
②	Brass	Gold Flash Over Nickel
③	Brass	Nickel Plated

4UCON 元化興業股份有限公司
 4UCON TECHNOLOGY INC.

DRAWING No.		APPROVED BY		UNLESS OTHERWISE SPECIFIED TOLERANCES ARE .X ±0.38 .XX ±0.25 ANG.
21194		MEI		
		CHECKED BY HZF		
SCALE		DRAWING BY		UNIT
NONE	REV.	CYP		mm
	A0	A0		

NO.	REV.	REVISIONS	CHK	DATE
△ A0		NEW RELEASE	HZF	07/04/2017