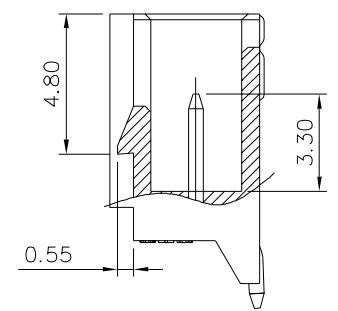
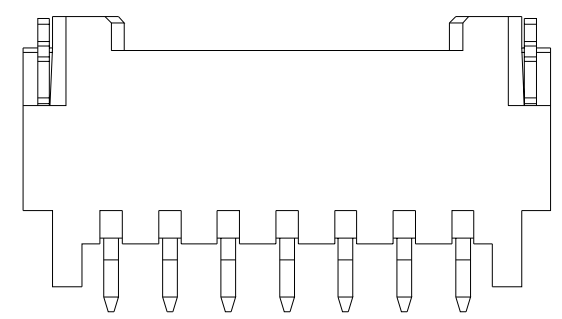
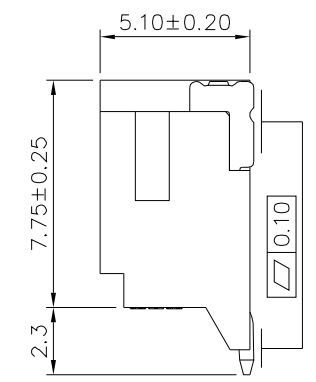
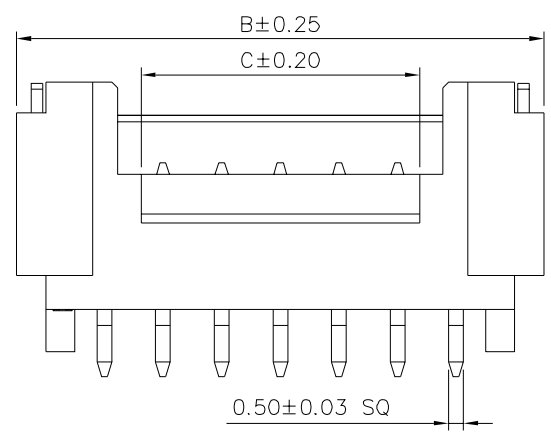


Recommended P.C.B. Layout
General Tolerances: ±0.05



SPECIFICATION
 Current Rating: 3A AC/DC
 Voltage Rating: 250V AC/DC
 Withstand Voltage: 1000V AC/Minute
 Contact Resistance: 30 Milliohms Max.
 Insulation Resistance: 1000 Megaohms Min.
 Temperature Range: -25°C ~ +85°C
 Contact: Brass, Tin Plated
 Solder Tabs: Brass, Tin Plated
 Insulator: HTN(UL94V-0), Beige
 RoHS Compliant

Pin	A	B	C
2	--	8.00	1.50
3	4.00	10.00	
4	6.00	12.00	3.50
5	8.00	14.00	5.50
6	10.00	16.00	7.50
7	12.00	18.00	9.50
8	14.00	20.00	11.50
9	16.00	22.00	13.50
10	18.00	24.00	
11	20.00	26.00	
12	22.00	28.00	
13	24.00	30.00	15.50
14	26.00	32.00	
15	28.00	34.00	
16	30.00	36.00	

4UCON 元化興業股份有限公司
4UCON TECHNOLOGY INC.

DRAWING No. 21511

APPROVED BY MEI
 CHECKED BY HZF
 DRAWING BY CYP

UNLESS OTHERWISE SPECIFIED TOLERANCES ARE
 .X ±0.25 X *±6°Ref.
 .XX ±0.15 X.* ±3°
 .XXX ±0.08 .X* ±2°

SCALE NONE

REV. A0

UNIT mm
 A0 NEW RELEASE HZF 06/21/2018
 NO. REV. REVISIONS CHK DATE