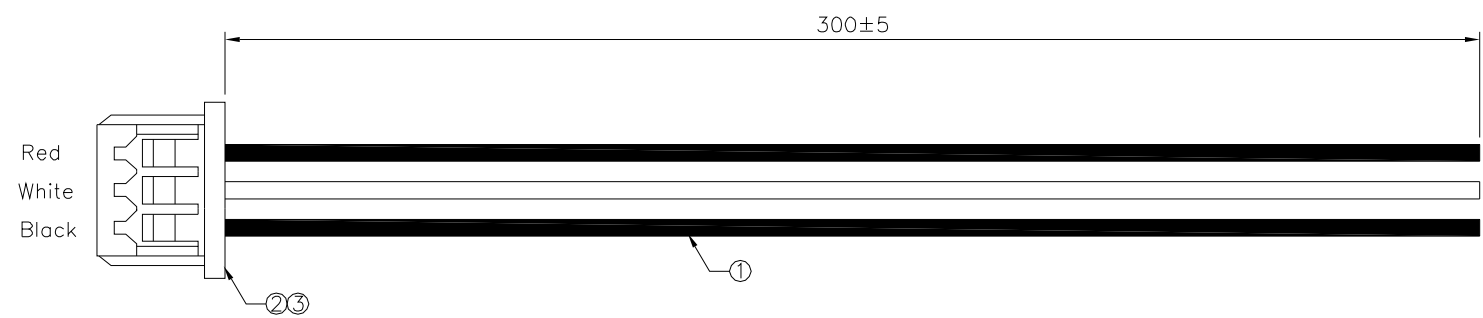


SPECIFICATION

100% Open Short & Miswire Test.
 Wire With Terminal Pulling Force:1.5kg Min.
 RoHS Compliant



No.	Name	Q'ty	Description
①	Wire	3	UL1571 28AWG Red/White/Black
②	Terminal	3	1.25mm FH Board To Wire Matching Terminal
③	Housing	1	1.25mm FH Board To Wire Housing 03P,White

4UCON 元化興業股份有限公司
 4UCON TECHNOLOGY INC.

DRAWING No.
 21742

SCALE NONE

APPROVED BY MEI
 CHECKED BY HZF
 DRAWING BY CYP

REV. A0

UNLESS OTHERWISE SPECIFIED TOLERANCES ARE
 .X ±0.38
 .XX ±0.25
 ANG.

UNIT mm

△ A0	NEW RELEASE	HZF	11/02/2019
NO. REV.	REVISIONS	CHK	DATE