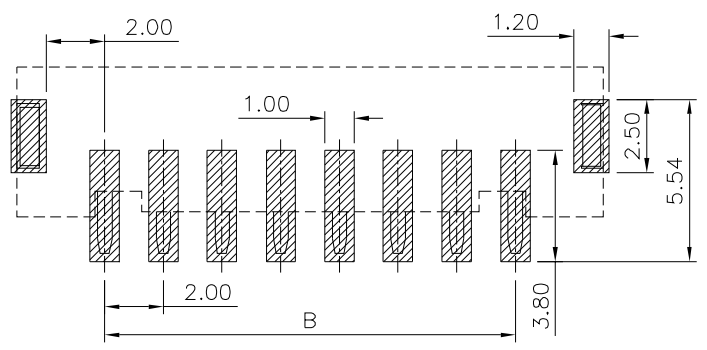
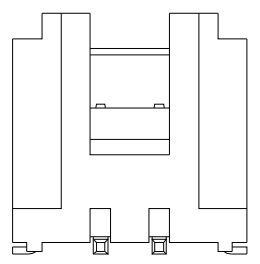
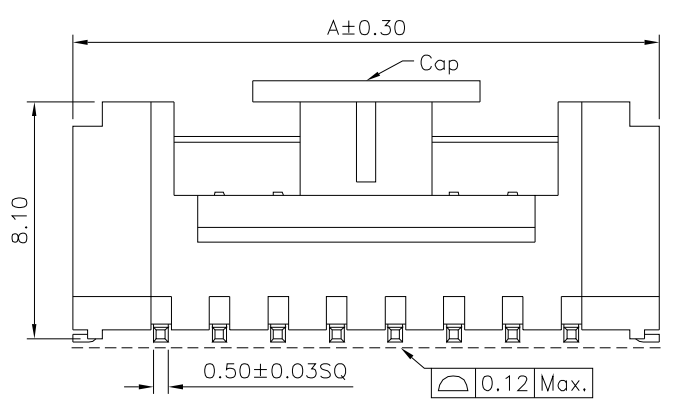
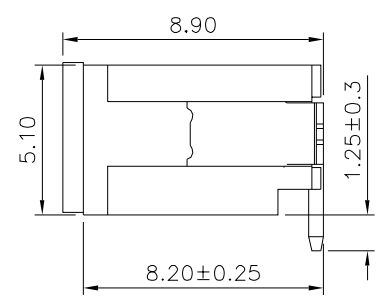
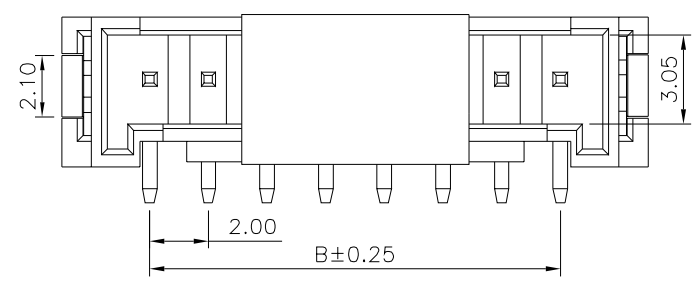


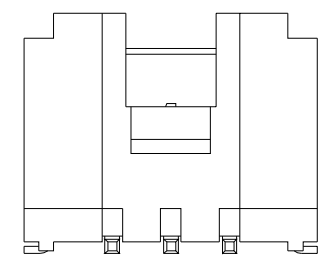
SPECIFICATION
 Current Rating:3A AC/DC
 Voltage Rating:250V AC/DC
 Withstanding Voltage:1000V AC For 1 Minute
 Contact Resistance:30 Milliohms Max.
 Insulation Resistance:1000 Megohms Min.
 Temperature Range:-40°C~+105°C
 Insulator:LCP(UL94V-0)
 Cap:LCP
 Contact:Brass,Tin Plated Over Nickel
 Solder Tab:Brass,Tin Plated Over Nickel
 RoHS Compliant



Recommended P.C.B. Layout



02 Pin



03 Pin

Pin	A	B
02	8.00	2.00
03	10.00	4.00
04	12.00	6.00
05	14.00	8.00
06	16.00	10.00
07	18.00	12.00
08	20.00	14.00
09	22.00	16.00
10	24.00	18.00
11	26.00	20.00
12	28.00	22.00
13	30.00	24.00
14	32.00	26.00
15	34.00	28.00
16	36.00	30.00

4UCON 元化興業股份有限公司
 4UCON TECHNOLOGY INC.

DRAWING No.		APPROVED BY		UNLESS OTHERWISE SPECIFIED TOLERANCES ARE .X ±0.25 .XX ±0.15 .XXX ±0.10
21871		MEI		
		CHECKED BY		
		HZF		
		DRAWING BY		
		CYP		
SCALE	NONE	REV.	A0	UNIT mm

NO.	REV.	REVISIONS	CHK	DATE
△ A0		NEW RELEASE	HZF	10/18/2019