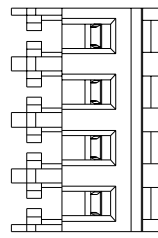
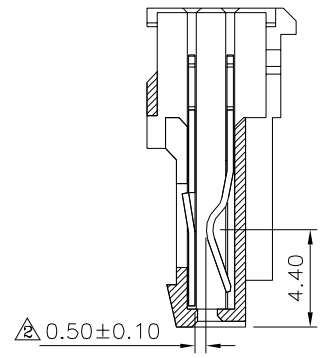
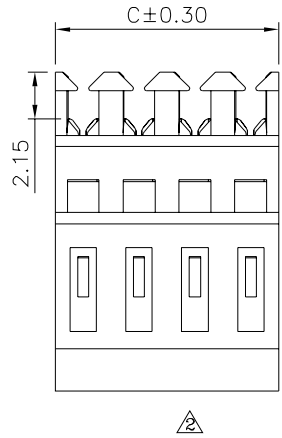
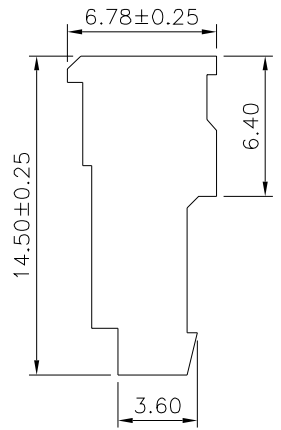
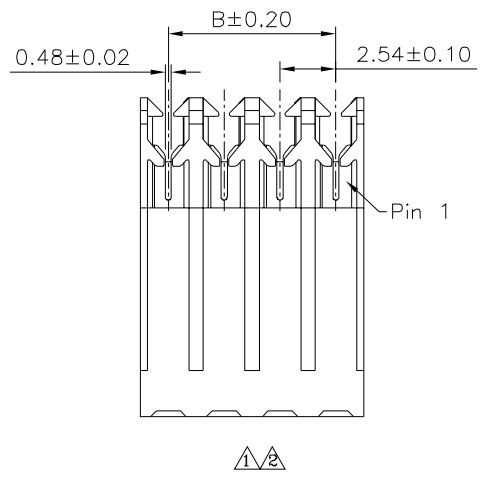
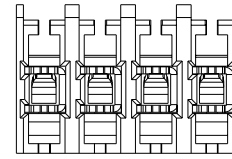


△ SPECIFICATION

Current Rating:3.0 Amp
 Voltage Rating:300V AC
 Withstand Voltage:750V AC,DC/Minute
 Contact Resistance:10 Milliohms Max.
 Insulation Resistance:1000 Megaohms Min.
 Operation Temperature:-55°C~+105°C
 Contact:Brass,Tin Plated Over Nickel
 △ Insulator:PA66(UL94V-2),Nature
 △ Wire Size(mm²):22 AWG(0.3~0.4)
 RoHS Compliant



△ Pin	B	C	Pin	B	C
02	2.54	5.08	14	33.02	35.56
03	5.08	7.62	15	35.56	38.10
04	7.62	10.16	16	38.10	40.64
05	10.16	12.70	17	40.64	43.18
06	12.70	15.24	18	43.18	45.72
07	15.24	17.78	19	45.72	48.26
08	17.78	20.32	20	48.26	50.80
09	20.32	22.86	21	50.80	53.34
10	22.86	25.40	22	53.34	55.88
11	25.40	27.94	23	55.88	58.42
12	27.94	30.48	24	58.42	60.96
13	30.48	33.02		--	

4UCON 元化興業股份有限公司
 4UCON TECHNOLOGY INC.

DRAWING No.		APPROVED BY		UNLESS OTHERWISE SPECIFIED TOLERANCES ARE .X ±0.40 .XX ±0.25 .XXX ±0.15 ANG. ±3°
21886		MEI		
		CHECKED BY	HZF	
SCALE NONE		DRAWING BY	CYP	
		REV.	A2	
UNIT	mm			

△ A2	Modify Data	HZF	05/07/2020
△ A1	Modify Data	HZF	11/12/2019
△ A0	NEW RELEASE	HZF	03/22/2017
NO. REV.	REVISIONS	CHK	DATE