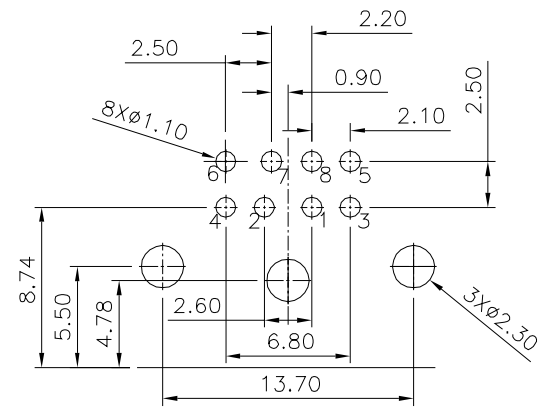
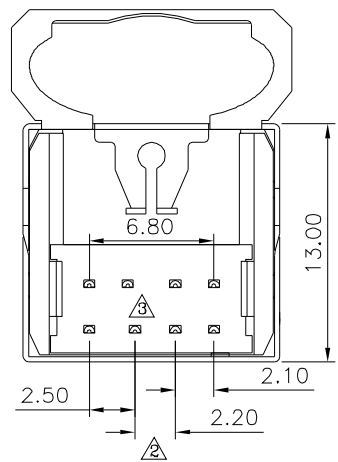
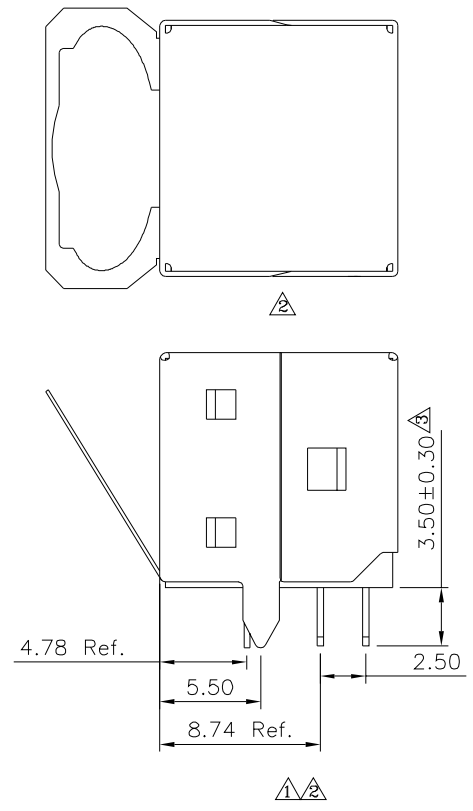
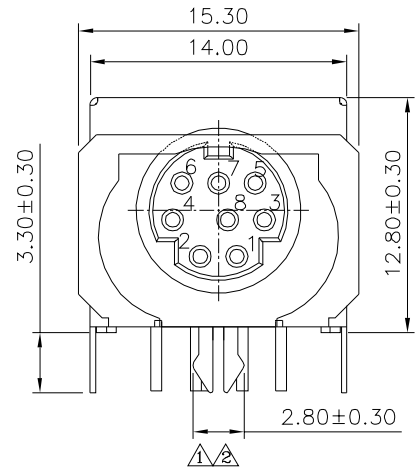


SPECIFICATION
 Current:1.0A Max.
 Voltage:30V Max.
 Withstanding Voltage:750V AC
 Contact Resistance:30 Milliohms Max.
 Insulation Resistance:1000 Megaohms Min.
 Temperature Range:-55°C~+85°C
 Mating Force:45N Max.
 Withdrawal Force:7N Min.
 Durability:500 Cycles Min.
 Insulator:PBT+30%G.F.(UL94V-0),Black
 ⚠ Contacts:Brass,Gold Flash On Contact Area,Tin Plated
 On Solder Tails,Over Nickel
 Shell:Brass,Nickel Plated Over All
 Spring:Stainless Steel
 RoHS Compliant



⚠ Recommended P.C.B. Layout

4UCON 元化興業股份有限公司
 4UCON TECHNOLOGY INC.

DRAWING No. ⚠		APPROVED BY		UNLESS OTHERWISE SPECIFIED TOLERANCES ARE .X ±0.38 .X* ±2* .XX ±0.25 .XX* ±1* .XXX ±0.13 .XXX* ±0.5*
21966		EMILY		
		CHECKED BY HZF		
		DRAWING BY HAO		
SCALE	NONE	REV.	A3	UNIT mm

NO.	REV.	REVISIONS	CHK	DATE
⚠	A3	Modify Data	HZF	09/12/2020
⚠	A2	Modify Data	HZF	03/18/2015
⚠	A1	Modify Data	HZF	08/04/2009
⚠	A0	NEW RELEASE	HZF	01/03/2009