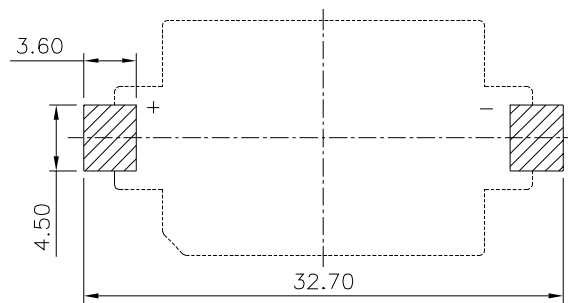
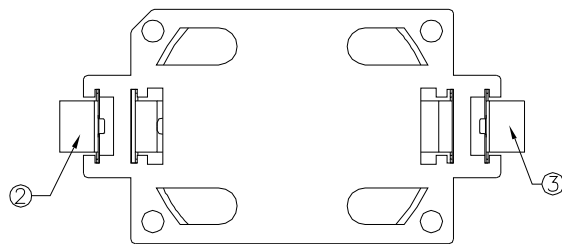
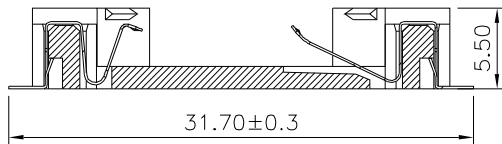
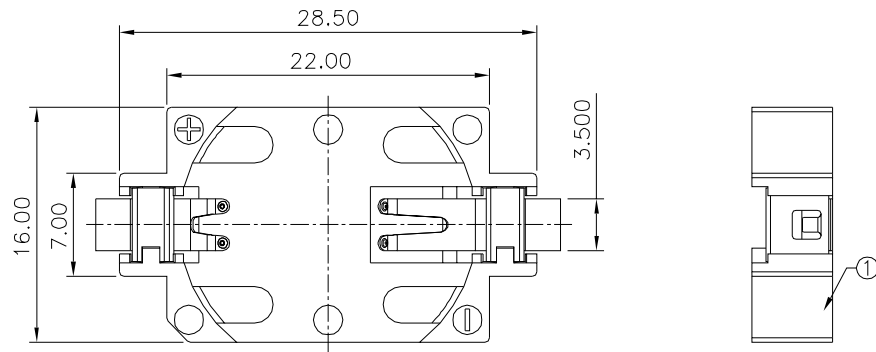


SPECIFICATION

Contact Resistance:30 Milliohms Max.
 Insulator Resistance:1000 Megaohms Min.
 Dielectric Withstanding Voltage:500V AC One Sec Level
 Operating Temperature:-25°C~+85°C
 RoHS Compliant



Recommended P.C.B. Layout(Top View)

No.	Description	Q'ty	Material	Remark
③	Terminal -	1	Phosphor Bronze	Gold Flash Over All,Over Nickel
②	Terminal +	1	Phosphor Bronze	Gold Flash Over All,Over Nickel
①	Housing	1	LCP(UL94V-0)	White

4UCON 元化興業股份有限公司
 4UCON TECHNOLOGY INC.

DRAWING No.

22142

APPROVED BY

MEI

CHECKED BY

HZF

DRAWING BY

CYP

SCALE

NONE

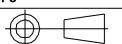
REV.

A0

UNLESS OTHERWISE SPECIFIED TOLERANCES ARE
 X. ±0.30 X.* ±1"
 .X ±0.25 .X* ±0.5"
 .XX ±0.20
 .XXX ±0.10

UNIT

mm



NO.

REV.

A0 NEW RELEASE

REVISIONS

CHK

01/08/2021

DATE