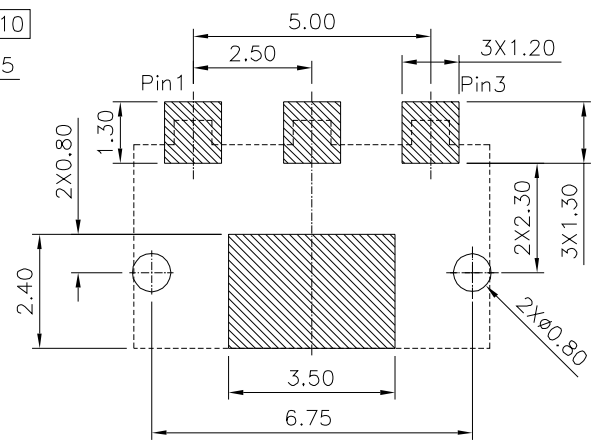
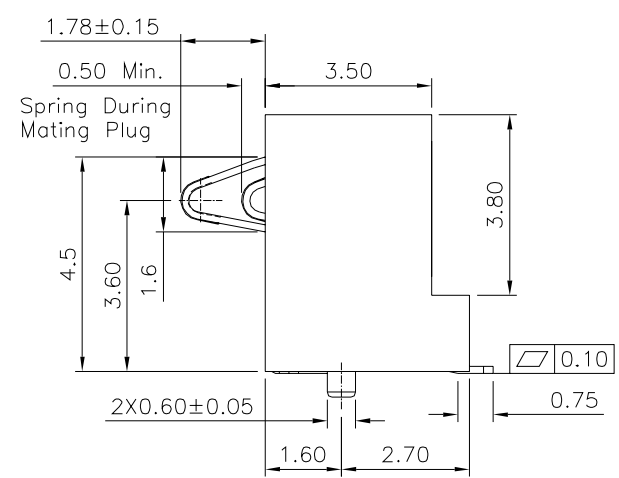
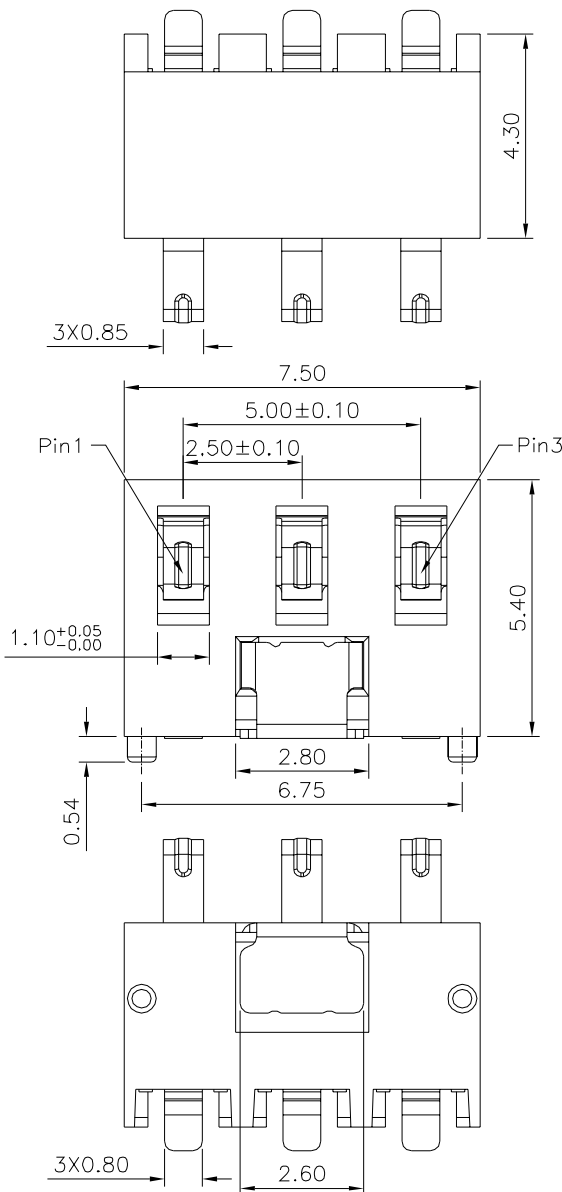


SPECIFICATION
1.Material&Finish
 Housing:LCP(UL94V-0),Black
 Contact:Brass,Gold Flash Over All,
 Over Nickel
2.RoHS Compliant



Recommended P.C.B. Layout
 P.C.B Thickness:0.8mm

4UCON 元化興業股份有限公司
 4UCON TECHNOLOGY INC.

DRAWING No.		APPROVED BY		UNLESS OTHERWISE SPECIFIED TOLERANCES ARE X. ±0.20 X.* ±5° .X ±0.15 .X* ±2° .XX ±0.10 .XX* ±1° .XXX ±0.05 .XXX* ±0.5°
22443		MEI		
		CHECKED BY		
		HZF		
		DRAWING BY		
		LZX		
SCALE	NONE	REV.	A0	UNIT
				mm

NO.	REV.	DESCRIPTION	CHK	DATE
△	A0	NEW RELEASE	HZF	05/29/2022
		REVISIONS		