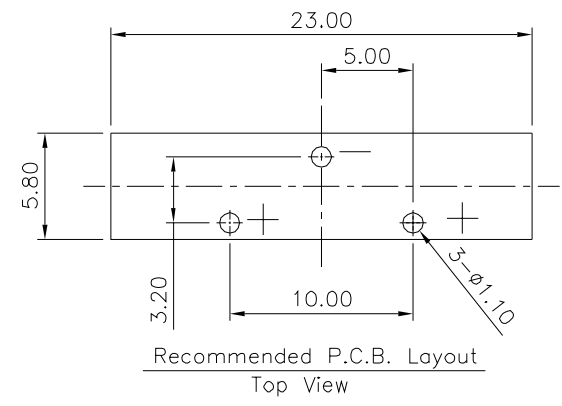
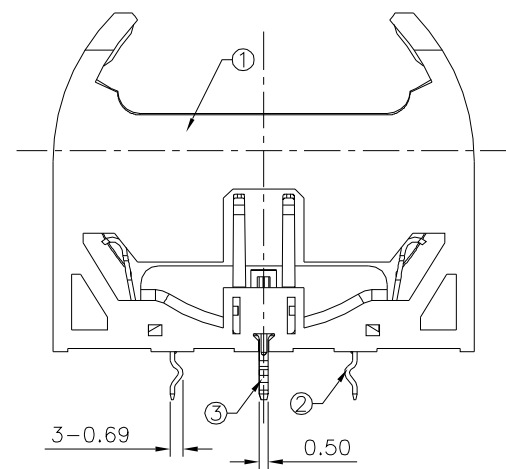
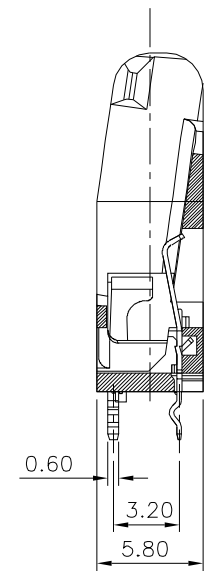
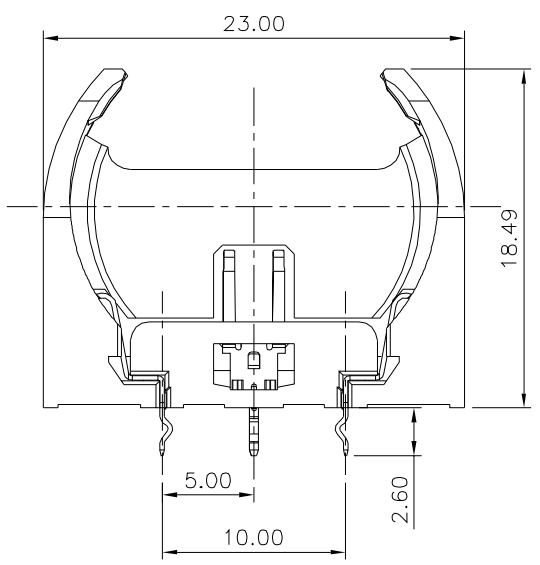


SPECIFICATION
 Withstand Voltage:500V AC/Minute
 Contact Resistance:100 Milliohms Max.
 Insulation Resistance:100 Megaohms Min.
 Operation Temperature:-25°C~+85°C
 RoHS Compliant



No.	Description	Q'ty	Material	Remark
③	Terminal -	1	Stainless Steel	Gold Flash On Contact Area,Tin
②	Terminal +	1	Stainless Steel	Plated On Solder Tails,Over Nickel
①	Housing	1	PA9T	Black

4UCON 元化興業股份有限公司
 4UCON TECHNOLOGY INC.

DRAWING No.		APPROVED BY	
22640		MEI	
		CHECKED BY	
		HZF	
		DRAWING BY	
		CYP	
SCALE	NONE	REV.	A0

UNLESS OTHERWISE SPECIFIED TOLERANCES ARE			
X. ±0.30 X.* ±1°			
.X ±0.25 .X* ±0.5°			
.XX ±0.20			
.XXX ±0.10			
UNIT	mm		
NO.	REV.	REVISIONS	DATE
△ A0		NEW RELEASE	09/06/2023