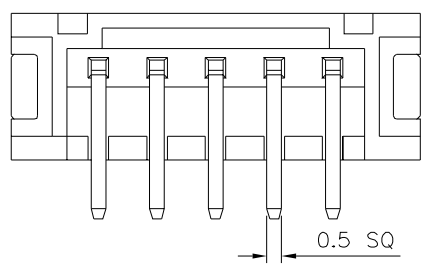
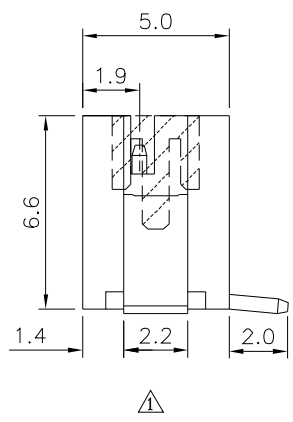
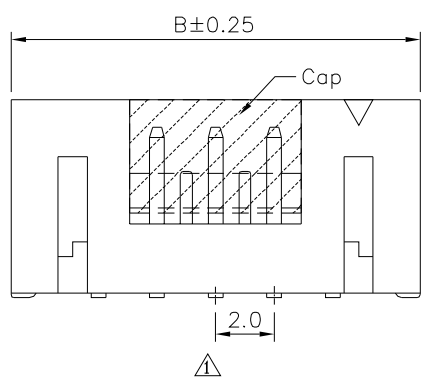
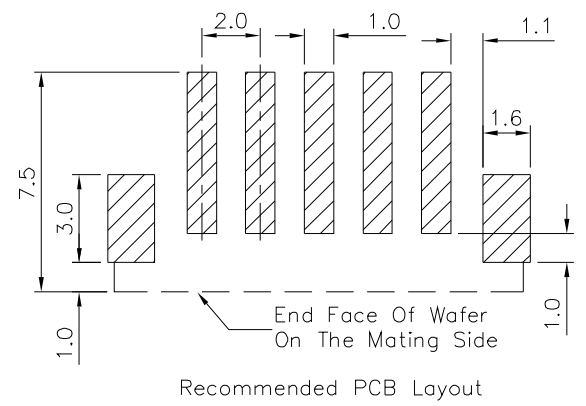
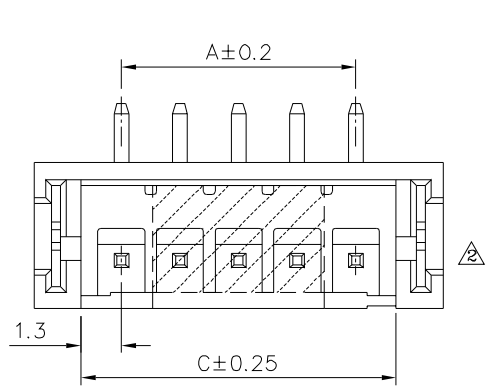


**SPECIFICATION**

Voltage Rating:100V AC,DC  
 Current Rating:2A AC,DC  
 Withstanding Voltage:800V AC/Minute  
 Insulation Resistance:1000 Megaohms Min.  
 Contact Resistance:Initial Value/10 Milliohms Max.  
 After Environmental Testing 20 Milliohms Max.  
 Temperature Range:-40°C~+85°C  
 Insulator&Cap:HTN(UL94V-0)  
 Contact:High Strength Brass,Tin Plated Over Nickel  
 Applicable PC Board Thickness:0.8~1.6mm  
 RoHS Compliant



Pin	A	B	C
02	2.00	8.00	4.80
03	4.00	10.00	6.80
04	6.00	12.00	8.80
05	8.00	14.00	10.80
06	10.00	16.00	12.80
07	12.00	18.00	14.80
08	14.00	20.00	16.80
09	16.00	22.00	18.80
10	18.00	24.00	20.80
11	20.00	26.00	22.80
12	22.00	28.00	24.80
13	24.00	30.00	26.80
14	26.00	32.00	28.80
15	28.00	34.00	30.80
16	30.00	36.00	32.80

**4UCON** 元化興業股份有限公司  
 4UCON TECHNOLOGY INC.

DRAWING No. 00111

APPROVED BY MEI  
 CHECKED BY HZF  
 DRAWING BY CYP

UNLESS OTHERWISE SPECIFIED TOLERANCES ARE  
 .X ±0.35  
 .XX ±0.25  
 ANG.

SCALE NONE REV. A3

NO.	REV.	REVISIONS	CHK	DATE
A3		Modify Data	HZF	08/22/2018
A2		Modify Data	HZF	05/28/2014
A1		Modify Data	HZF	10/24/2012
A0		NEW RELEASE	HZF	04/11/2010

