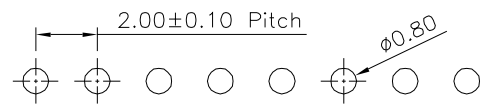
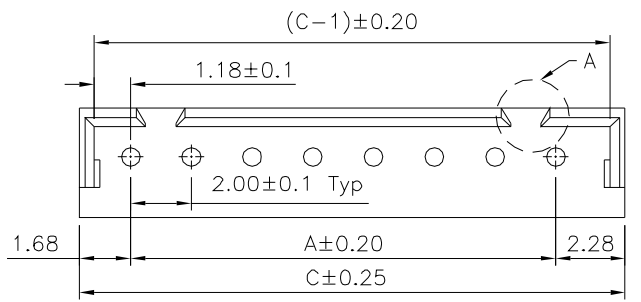
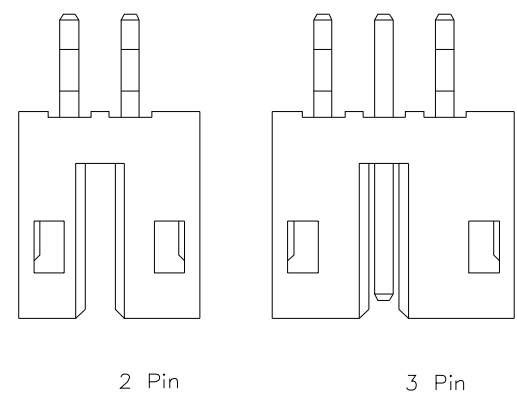
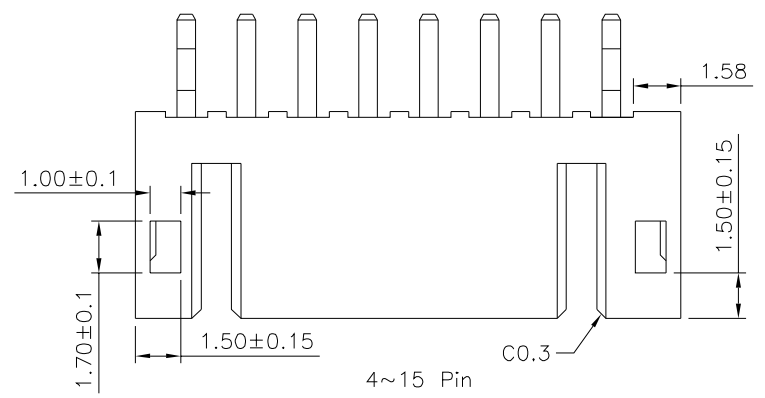
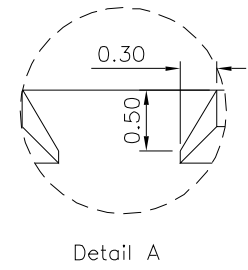
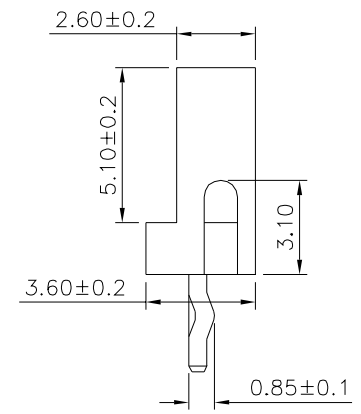
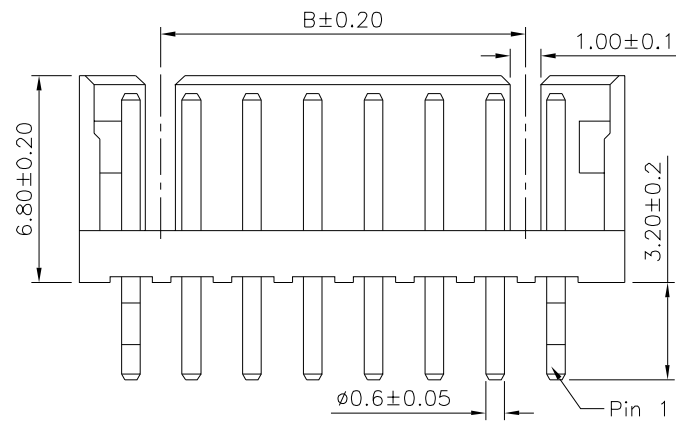


**SPECIFICATION**

Current Rating:3A AC/DC  
 Voltage Rating:125V AC/DC  
 Dielectric Strength:500V AC/Minute  
 Contact Resistance:20 Milliohms Max.  
 Insulation Resistance:500 Megaohms Min.  
 Use Environment Temperature:-25°C~+85°C  
 Insulator:PA66(UL94V-0),White  
 Contact:Brass,Tin Plated Over Nickel  
 Pin Retention Force:0.5 Kgf/Pin Min.  
 RoHS Compliant



Recommended P.C.B. Layout(Top Side)  
 PCB Thickness=1.20mm Tolerance±0.05



Pin	A	B	C
02	2.00		5.96
03	4.00		7.95
04	6.00	4.00	9.96
05	8.00	6.00	11.96
06	10.00	8.00	13.96
07	12.00	10.00	15.96
08	14.00	12.00	17.96
09	16.00	14.00	19.96
10	18.00	16.00	21.96
11	20.00	18.00	23.96
12	22.00	20.00	25.96
13	24.00	22.00	27.96
14	26.00	24.00	29.96
15	28.00	26.00	31.96

**4UCON** 元化興業股份有限公司  
 4UCON TECHNOLOGY INC.

DRAWING No.		APPROVED BY		UNLESS OTHERWISE SPECIFIED TOLERANCES ARE .X ±0.25 .X' ±2' .XX ±0.15 .XX' ±1' .XXX ±0.10
01338		MEI		
		CHECKED BY		
		HZF		
		DRAWING BY		
		CYP		
SCALE	NONE	REV.	B1	UNIT
				mm

NO.	REV.	REVISIONS	CHK	DATE
△	B1	Modify Data	HZF	09/13/2016
△	B0	NEW RELEASE	HZF	09/26/2013