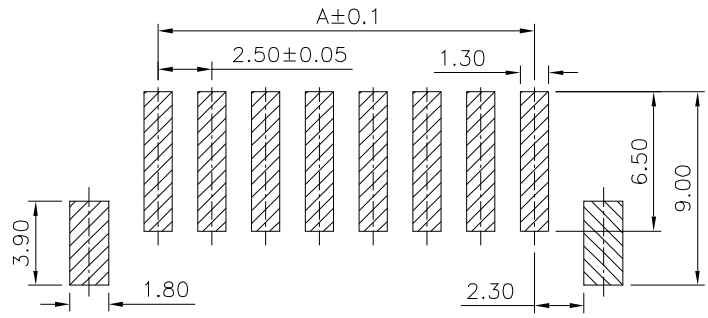
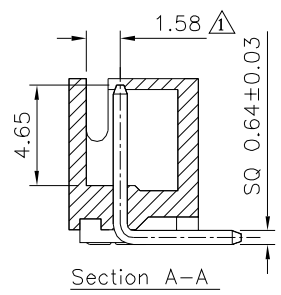
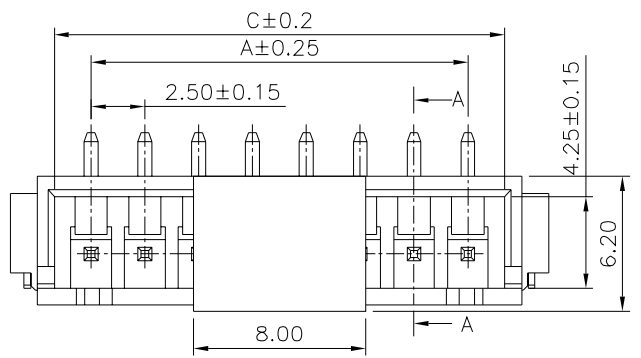


△ SPECIFICATION

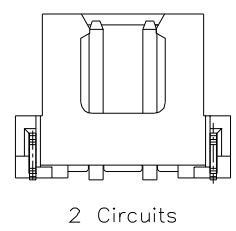
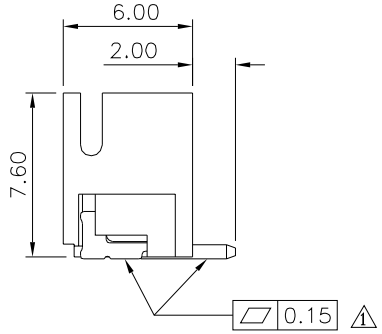
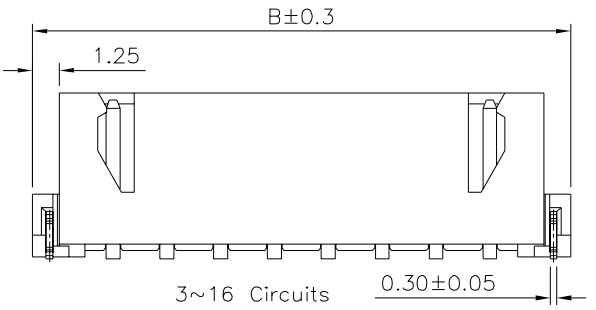
Current Rating:3A AC/DC
 Voltage Rating:250V AC/DC
 Withstand Voltage:1000V AC/Minute
 Contact Resistance:20 Milliohms Max.
 Insulation Resistance:1000 Megaohms Min.
 Operation Temperature:-25°C~+85°C
 Insulator:PA9T(UL94V-0),Nature
 Contact:Brass,Tin Plated Over Nickel
 Solder Nail:Brass,Tin Plated Over Nickel
 RoHS Compliant



Recommended P.C.B. Layout



Section A-A



| Pin | A | B | C |
|-----|-------|-------|-------|
| 02 | 2.50 | 10.00 | 5.90 |
| 03 | 5.00 | 12.50 | 8.40 |
| 04 | 7.50 | 15.00 | 10.90 |
| 05 | 10.00 | 17.50 | 13.40 |
| 06 | 12.50 | 20.00 | 15.90 |
| 07 | 15.00 | 22.50 | 18.40 |
| 08 | 17.50 | 25.00 | 20.90 |
| 09 | 20.00 | 27.50 | 23.40 |
| 10 | 22.50 | 30.00 | 25.90 |
| 11 | 25.00 | 32.50 | 28.40 |
| 12 | 27.50 | 35.00 | 30.90 |
| 13 | 30.00 | 37.50 | 33.40 |
| 14 | 32.50 | 40.00 | 35.90 |
| 15 | 35.00 | 42.50 | 38.40 |
| 16 | 37.50 | 45.00 | 40.90 |

4UCON 元化興業股份有限公司
 4UCON TECHNOLOGY INC.

| | | | | |
|--------------------------|------|--------------------|----|--|
| DRAWING No. 01629 | | APPROVED BY MEI | | UNLESS OTHERWISE SPECIFIED TOLERANCES ARE .X ±0.30 .XX ±0.20 .XXX ±0.10 ANG. ±2° |
| | | CHECKED BY HZF | | |
| | | DRAWING BY CYP | | |
| SCALE | NONE | REV. | A2 | UNIT mm |

| NO. | REV. | REVISIONS | CHK | DATE |
|-----|------|-------------|-----|------------|
| △2 | A2 | Modify Data | HZF | 07/29/2021 |
| △1 | A1 | Modify Data | HZF | 04/13/2017 |
| △0 | A0 | NEW RELEASE | HZF | 02/19/2014 |