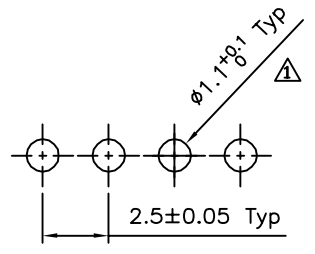
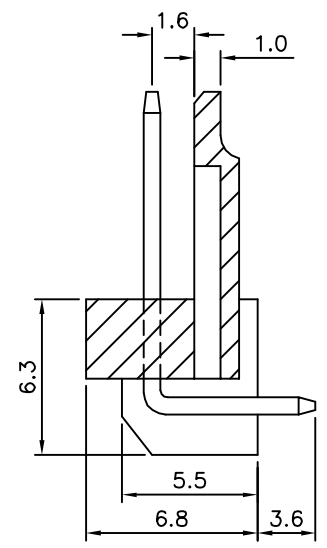
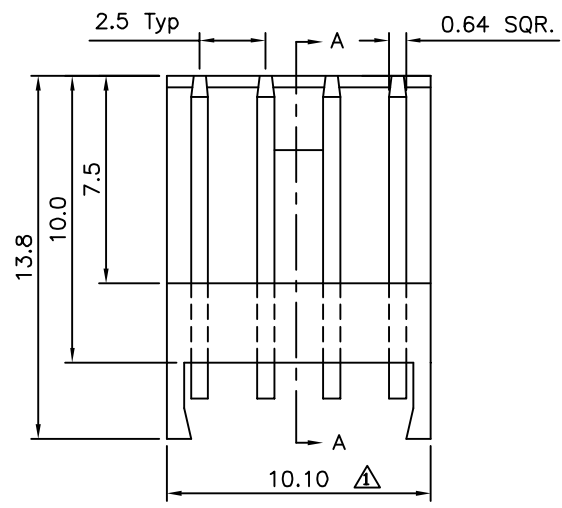


SPECIFICATION

Current Rating:2.5A
 Voltage Rating:250V AC/DC
 Insulator:PA66(UL94V-0)
 Contact:Brass,Tin Plated
 RoHS Compliant



Recommended PCB Layout



Sections A-A

4UCON 元化興業股份有限公司
 4UCON TECHNOLOGY INC.

DRAWING No.		APPROVED BY		UNLESS OTHERWISE SPECIFIED TOLERANCES ARE
01661		EMILY		
		CHECKED BY		
		HZF		X. ±0.50 X.* ±5*
		DRAWING BY		.X ±0.30 .X.* ±1*
		SONG		.XX ±0.20
SCALE	NONE	REV.	A1	UNIT mm

NO.	REV.	REVISIONS	CHK	DATE
△A1		Modify Data	HZF	09/08/2011
△A0		NEW RELEASE	SHIN	09/14/2007