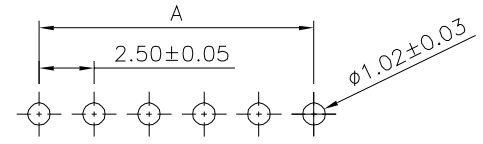
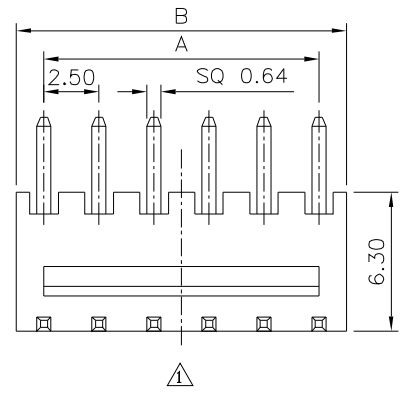
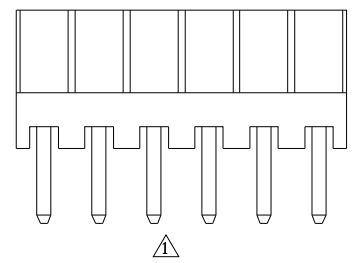
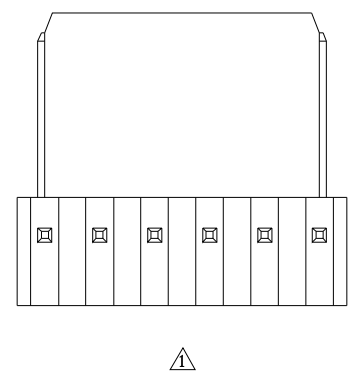
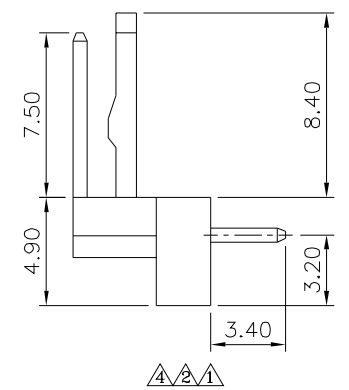
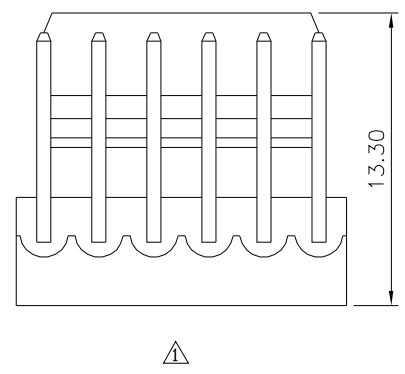


**SPECIFICATION**  
 Electrical Rating:UL 250V 1A,AC/DC  
 CSA 250V 1A,AC/DC  
 Contact:Brass,Tin Plated Over Nickel  
 ⚠ Base:PA66(UL94V-0),Nature  
 RoHS Compliant



Recommended P.C.B. Layout



Pin	A	B
2	2.50	5.00
3	5.00	7.50
4	7.50	10.00
5	10.00	12.50
6	12.50	15.00
7	15.00	17.50
8	17.50	20.00
9	20.00	22.50
10	22.50	25.00
11	25.00	27.50
12	27.50	30.00
13	30.00	32.50
14	32.50	35.00
15	35.00	37.50
16	37.50	40.00
17	40.00	42.50
18	42.50	45.00
19	45.00	47.50
20	47.50	50.00

**4UCON** 元化興業股份有限公司  
 4UCON TECHNOLOGY INC.

DRAWING No.		APPROVED BY		UNLESS OTHERWISE SPECIFIED TOLERANCES ARE .X ±0.30 .XX ±0.20 .XXX ±0.10 ANG. ±2°
01904		MEI	CYP	
		HZF		
SCALE	NONE	REV.	B4	UNIT mm

⚠ B4	Modify Data	HZF	08/05/2016
⚠ B3	Modify Data	HZF	08/15/2013
⚠ B2	Modify Data	HZF	06/21/2011
⚠ B1	Modify Data	HZF	04/16/2011
⚠ B0	NEW RELEASE	HZF	12/08/2008
NO. REV.	REVISIONS	CHK	DATE