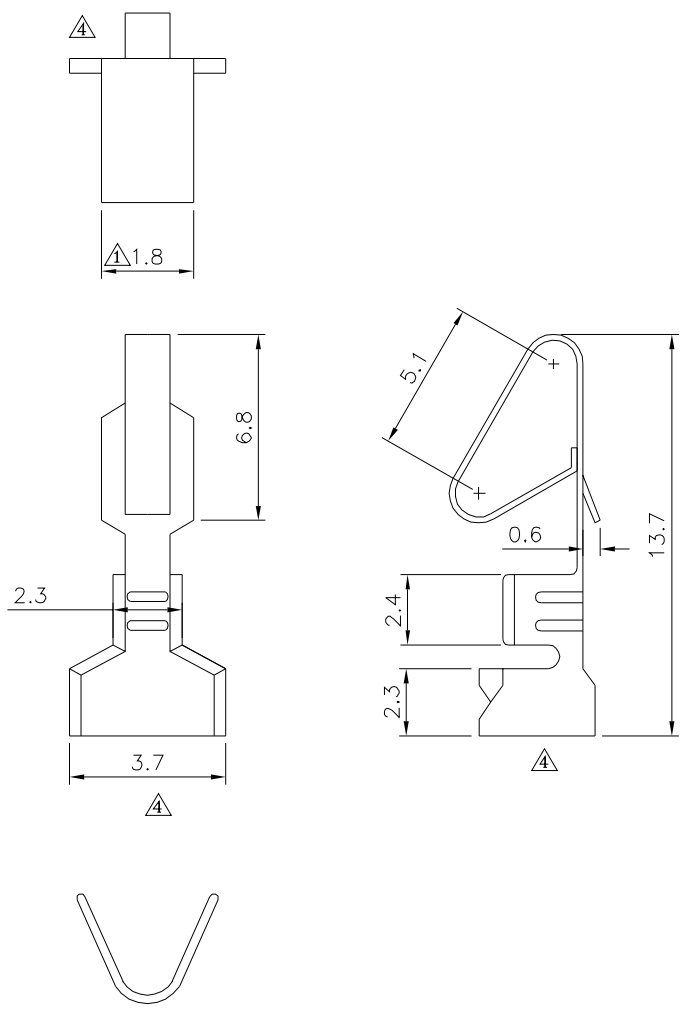


**SPECIFICATION**

Applicable Wire:AWG#18-24  
 Material:Brass,Tin Plated Over Nickel  
 Thickness:0.25mm  
 Q'ty:6000 PCS/Reel  
 RoHS Compliant



**4UCON** 元化興業股份有限公司  
 4UCON TECHNOLOGY INC.

DRAWING No.		APPROVED BY EMILY	
02185		CHECKED BY HZF	
SCALE NONE		DRAWING BY HAO	
REV.	A4	UNIT mm	

UNLESS OTHERWISE SPECIFIED TOLERANCES ARE  
 .X ±0.38  
 .XX ±0.25

NO.	REV.	REVISIONS	CHK	DATE
	A4	Modify Data	HZF	12/01/2021
	A3	Modify Data	MEI	10/06/2014
	A2	Modify Data	MEI	04/11/2003
	A1	Modify Data	MEI	04/11/2003
	A0	NEW RELEASE		