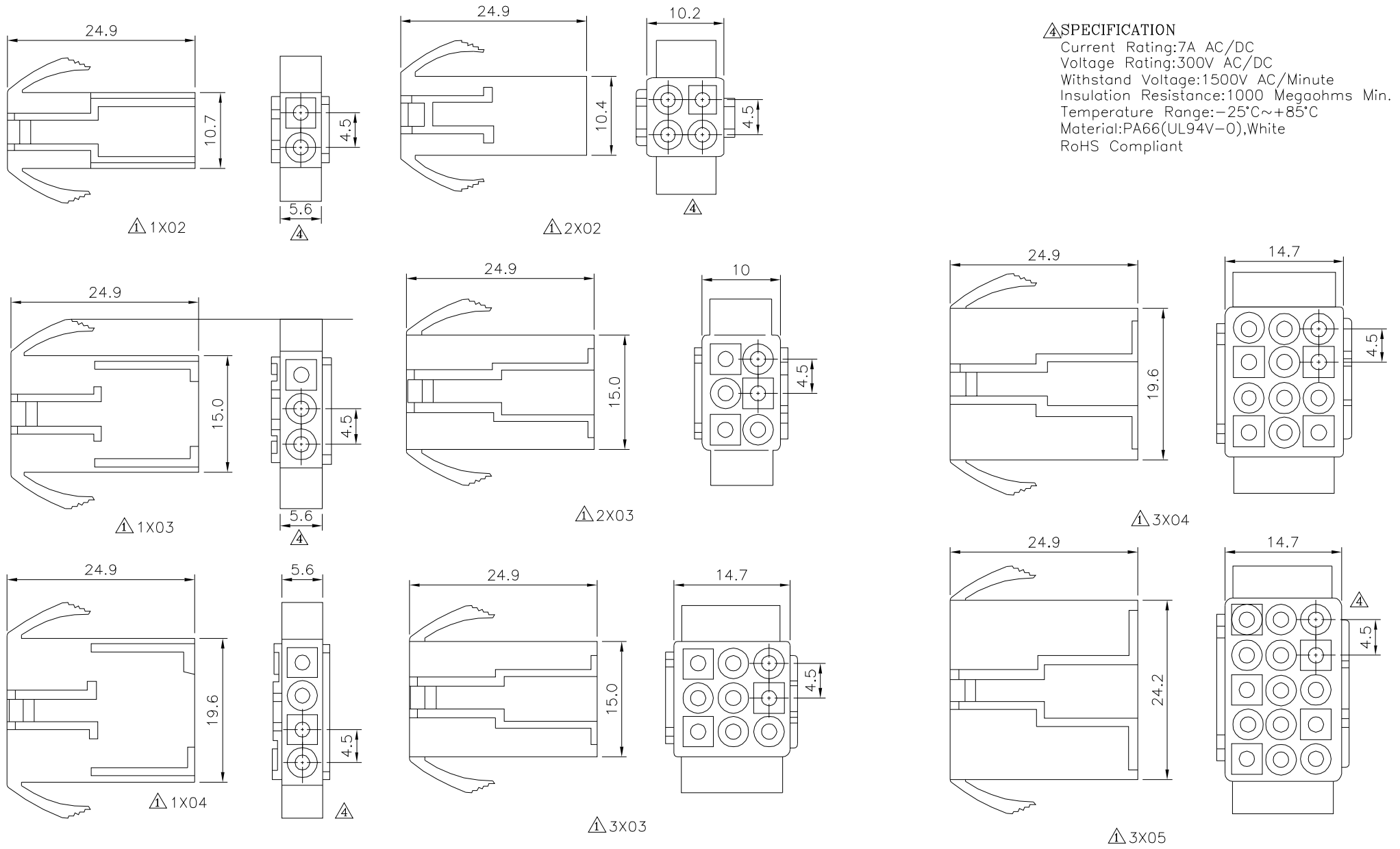


△ SPECIFICATION
 Current Rating:7A AC/DC
 Voltage Rating:300V AC/DC
 Withstand Voltage:1500V AC/Minute
 Insulation Resistance:1000 Megaohms Min.
 Temperature Range:-25°C~+85°C
 Material:PA66(UL94V-0),White
 RoHS Compliant



4UCON 元化興業股份有限公司
 4UCON TECHNOLOGY INC.

DRAWING No.		APPROVED BY		UNLESS OTHERWISE SPECIFIED TOLERANCES ARE △ .X ±0.3
02312		MEI		
		CHECKED BY	HZF	
SCALE		REV.	A4	UNIT
NONE				mm

△ A4	Modify Data	HZF	03/23/2021
△ A3	Modify Data	HZF	08/05/2013
△ A2	Modify Data	HZF	09/10/2010
△ A1	Modify Data	HZF	01/28/2010
△ A0	NEW RELEASE		
NO. REV.	REVISIONS	CHK	DATE