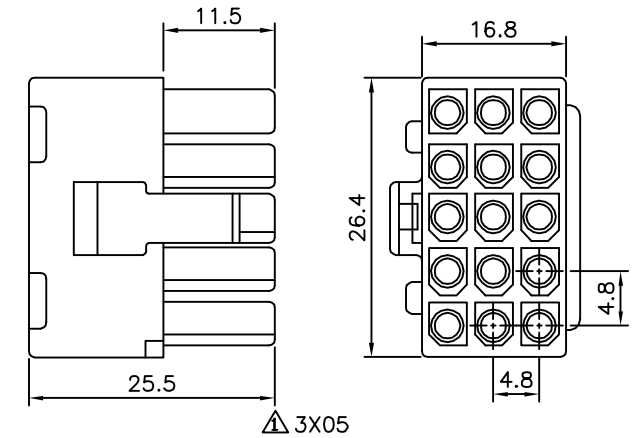
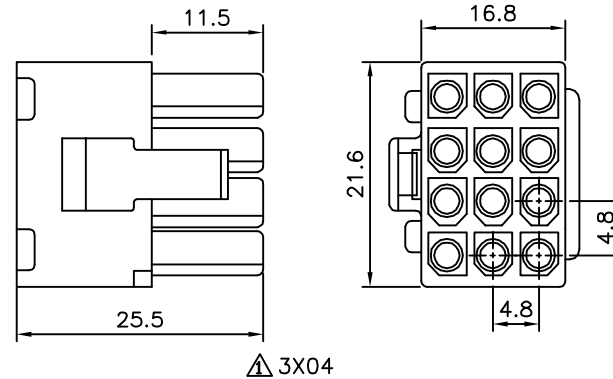
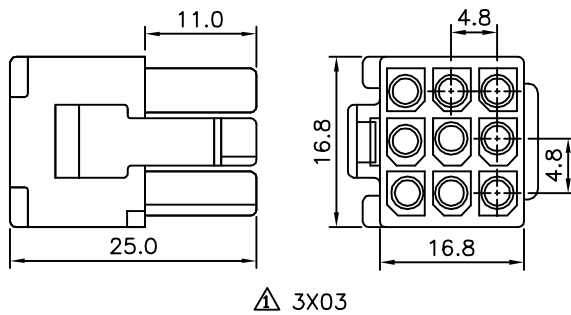
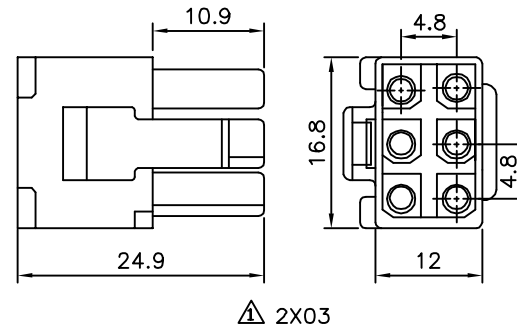
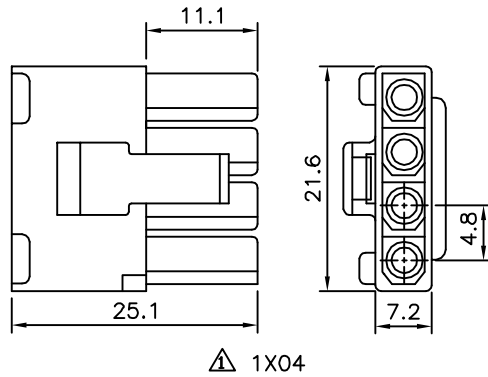
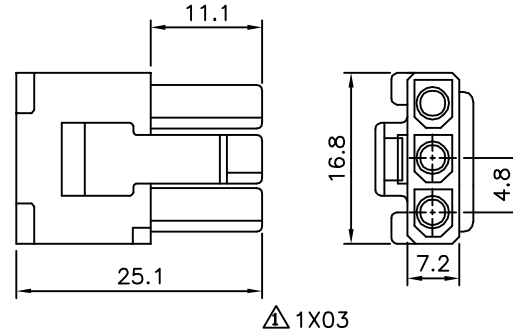
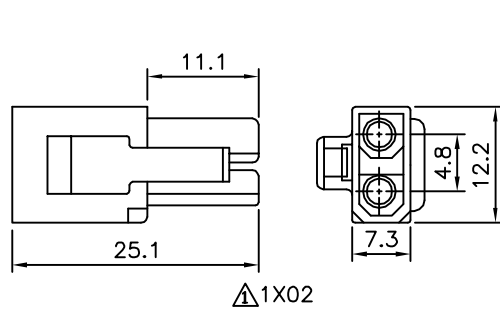


**△ SPECIFICATION**  
 △ Current Rating:5A AC/DC  
 Voltage Rating:250V AC/DC  
 Withstand Voltage:1500V AC/Minute  
 Insulation Resistance:1000 Megaohms Min.  
 Temperature Range:-25°C~+85°C  
 Insulator:PA66(UL94V-2)  
 RoHS Compliant



**4UCON** 元化興業股份有限公司  
 4UCON TECHNOLOGY INC.

DRAWING No.  
 02341

APPROVED BY  
 EMILY  
 CHECKED BY  
 HZF  
 DRAWING BY  
 SONG  
 REV. A2

UNLESS OTHERWISE SPECIFIED TOLERANCES ARE  
 X. ±0.3  
 .X ±0.3 △

UNIT mm

NO.	REV.	REVISIONS	CHK	DATE
△ A2		Modify Spec.	HZF	03/29/2014
△ A1		Modify Data	HZF	07/05/2011
△ A0		NEW RELEASE		