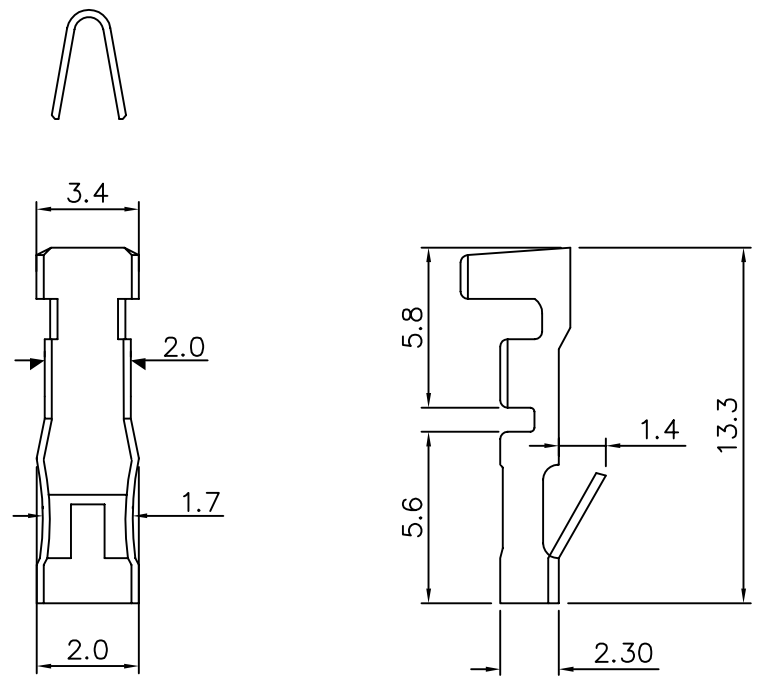


SPECIFICATIONS
 Applicable Wire: AWC#18-24
 Material : Phosphor Bronze/Brass
 Finish : Tin/Plated 4u" mm
 Hardness : H/SH
 Thickness : 0.25mm



4UCON 元化興業股份有限公司
 4UCON TECHNOLOGY INC.

DRAWING No. 02359		APPROVED BY MEI		UNLESS OTHERWISE SPECIFIED TOLERANCES ARE .X ±0.38 .XX ±0.25 ANG.	
		CHECKED BY RAN			
		DRAWING BY HZF			
SCALE	NONE	REV.	A	UNIT mm	

AREA	REVISIONS	CHK	DATE