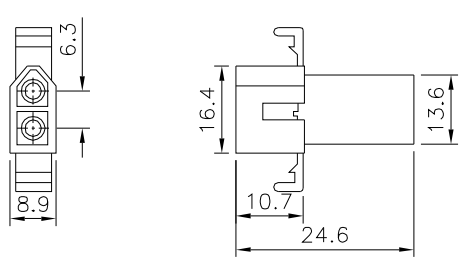
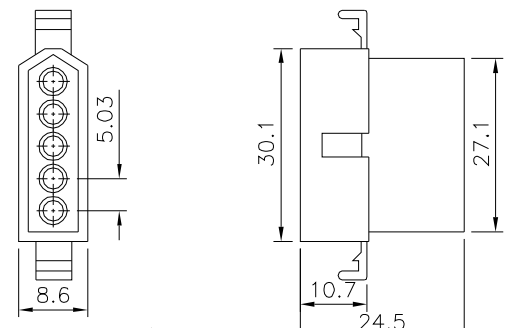


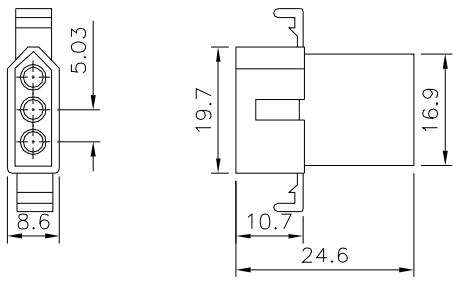
**△ SPECIFICATION**  
 Current Rating:12A AC/DC  
 Voltage Rating:300V AC/DC  
 Withstand Voltage:1500V AC/Minute  
 Insulation Resistance:1000 Megohms Min.  
 Temperature Range:-25°C~+85°C  
 Material:PA66(UL94V-2)  
 RoHS Compliant



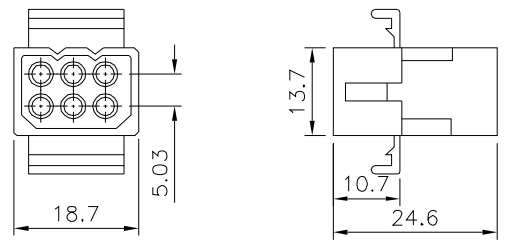
△ 1X02 Pin



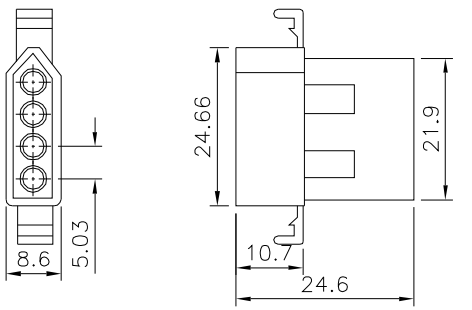
△ 1X05 Pin



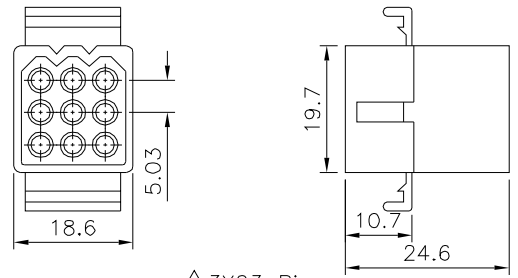
△ 1X03 Pin



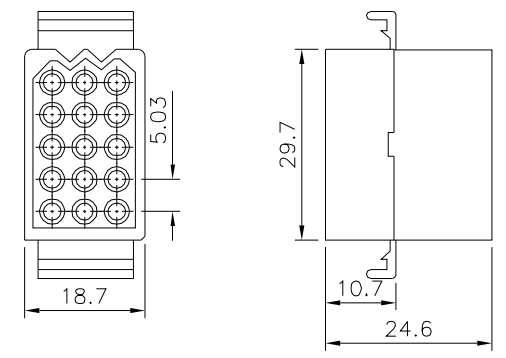
△ 3X02 Pin



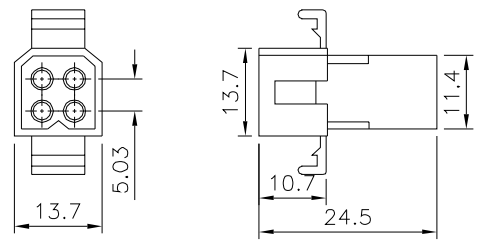
△ 1X04 Pin



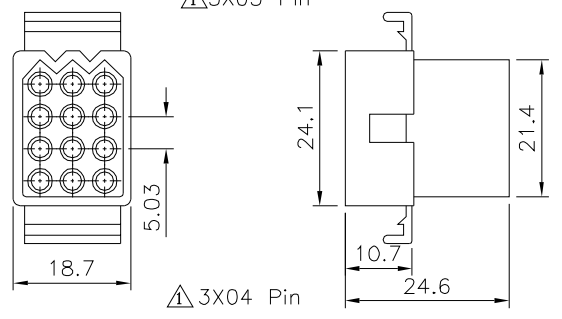
△ 3X03 Pin



△ 3X05 Pin



△ 2X02 Pin



△ 3X04 Pin

**4UCON** 元化興業股份有限公司  
 4UCON TECHNOLOGY INC.

DRAWING No.		APPROVED BY		UNLESS OTHERWISE SPECIFIED TOLERANCES ARE △ .X ±0.3 .XX ±0.3 ANG.
02365		MEI		
		CHECKED BY HZF		
SCALE NONE		DRAWING BY YBL		UNIT mm
REV.	A1			

NO.	REV.	REVISIONS	CHK	DATE
△ A1		Modify Data	HZF	12/09/2013
△ A0		NEW RELEASE	HZF	07/14/2006