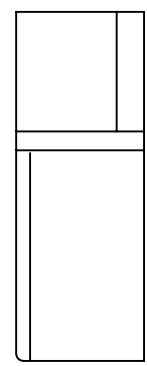
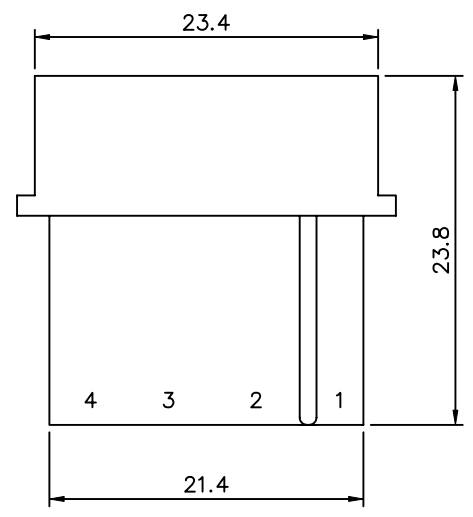
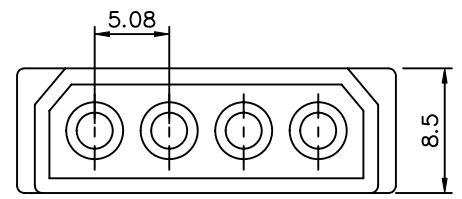


SPECIFICATIONS
 Current Rating: 5A AC,DC
 Voltage Rating: 250V AC,DC
 Temperature Range: -25°C To +120°C
 Insulation Resistance: 1000 Megohms Min.
 Withstand Voltage: 1500V AC/Minute
 Poles: 4
 Material: Nylon 66 UL94V-2
 RoHS Compliant



4UCON 元化興業股份有限公司
 4UCON TECHNOLOGY INC.

DRAWING No.		APPROVED BY		UNLESS OTHERWISE SPECIFIED TOLERANCES ARE .X ±0.38 .XX ±0.25 ANG.
02426		MEI		
		CHECKED BY BECKY		
		DRAWING BY TCF		
SCALE	NONE	REV.	A0	UNIT mm

NO.	REV.	REVISIONS	CHK	DATE
△ A0		NEW RELEASE	BECKY	2004/08/20