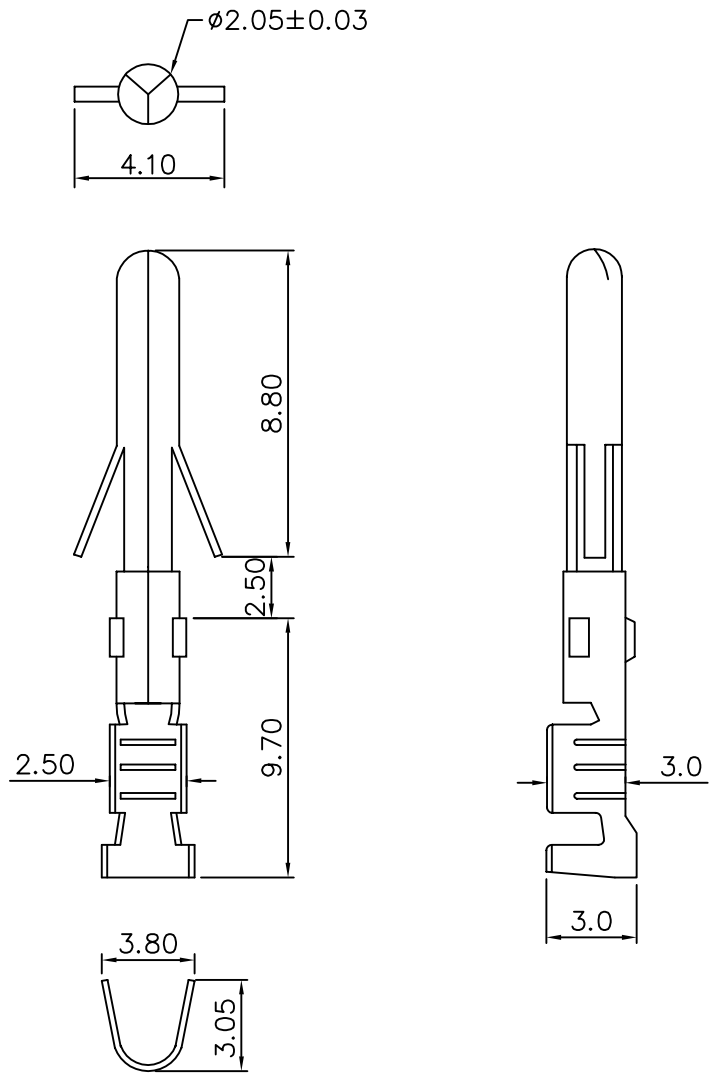


SPECIFICATIONS :
 Applicable Wire : AWG #16-20
 Material : Brass
 Finish: Tin Plated 4u"
 Hardness : SH
 Thickness : 0.25mm



4UCON 元化興業股份有限公司
 4UCON TECHNOLOGY INC.

DRAWING No.
 02430

APPROVED BY MEI
 CHECKED BY RAN
 DRAWING BY HZF

UNLESS OTHERWISE SPECIFIED
 TOLERANCES ARE
 .X ±0.38
 .XX ±0.25
 ANG.

SCALE NONE REV. A

UNIT mm

AREA	REVISIONS	CHK	DATE
------	-----------	-----	------