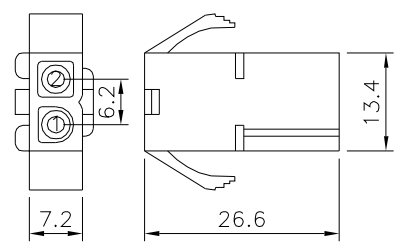
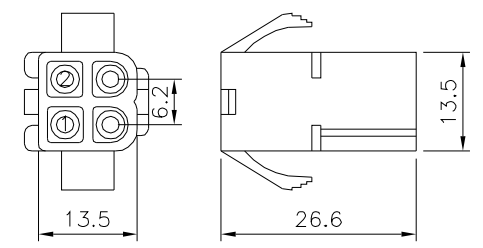


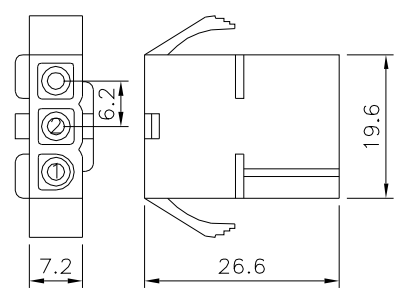
**SPECIFICATION**  
 Current Rating:12A AC,DC  
 Voltage Rating:600V AC,DC  
 Withstanding Voltage:1500V AC/Minute  
 Insulation Resistance:1000 Megaohms Min.  
 Temperature Range:-25°C~+90°C  
 Material:PA66(UL94V-2)  
 RoHS Compliant



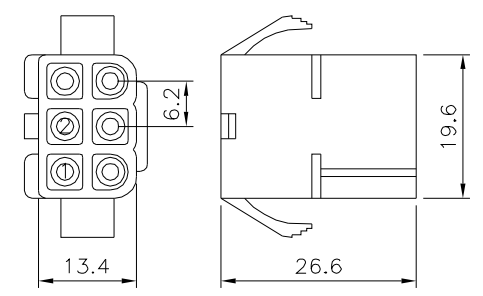
1X02



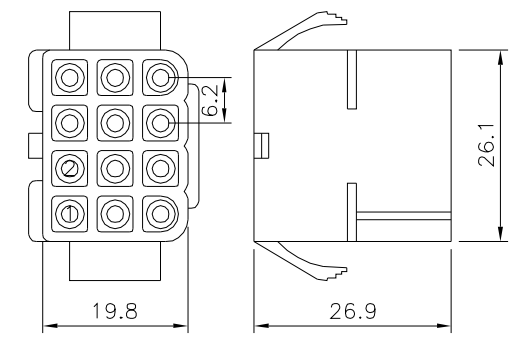
2X02



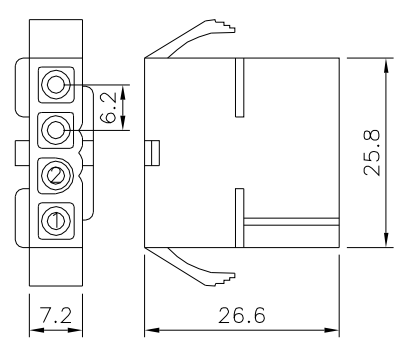
1X03



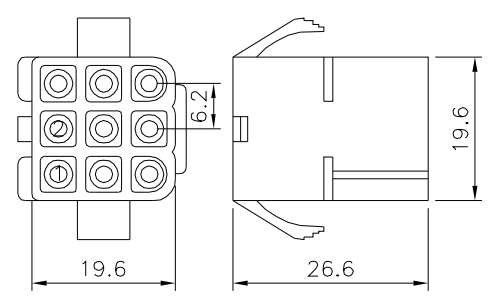
2X03



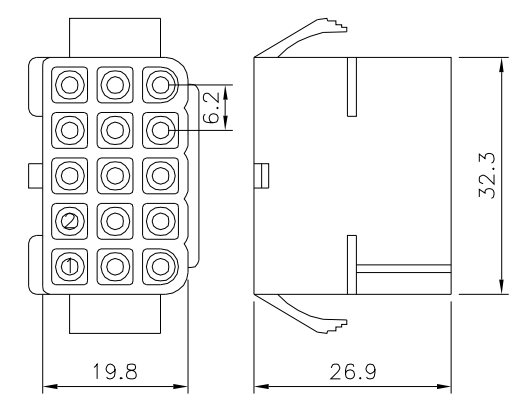
3X04



1X04



3X03



3X05

**4UCON** 元化興業股份有限公司  
 4UCON TECHNOLOGY INC.

DRAWING No.		APPROVED BY		UNLESS OTHERWISE SPECIFIED TOLERANCES ARE .X ±0.3
02442		MEI		
		CHECKED BY		
SCALE		REV.		UNIT mm
NONE		A2		

NO.	REV.	REVISIONS	CHK	DATE
△	A2	Modify Data	HZF	02/21/2014
△	A1	Modify Data	HZF	03/15/2011
△	A0	NEW RELEASE	BECKY	09/16/2005