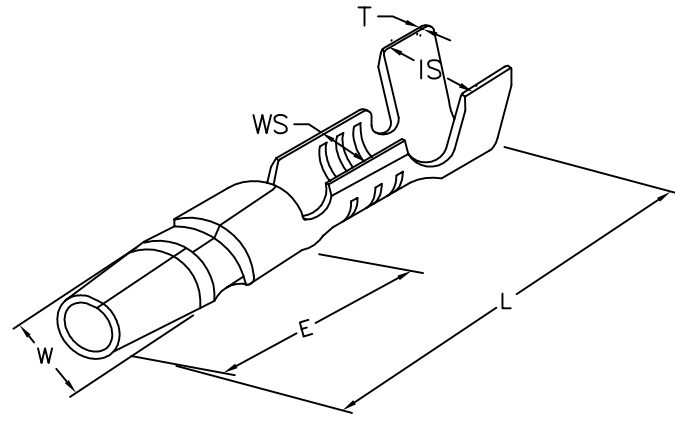


SPECIFICATION:
 Material: Brass.
 Applicable Wires: AWG#14-20
 Insulation O.D.: 2.7-3.6mm
 Standard Packing: 10000Pcs
 Surface Treatment: Tin Plated
 Ni Plated
 Chemical Polishing
 Gold Plated



T : 0.40±0.03	L : 16.10±0.20	W : 3.50±0.2
E : 8.00±0.20	S : 4.50±0.30	WS : 3.30±0.3

4UCON 元化興業股份有限公司
 4UCON TECHNOLOGY INC.

DRAWING No.		APPROVED BY		UNLESS OTHERWISE SPECIFIED TOLERANCES ARE .X ±0.38 .XX ±0.25 ANG.
02489		MEI		
		RAN		
		DRAWING BY		
		HZF		
SCALE	NONE	REV.	A	UNIT
				mm

AREA	REVISIONS	CHK	DATE