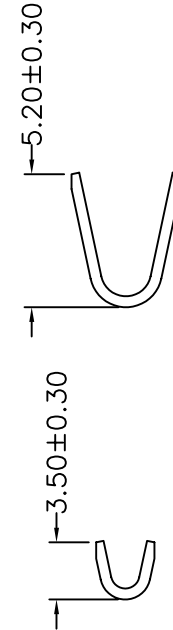
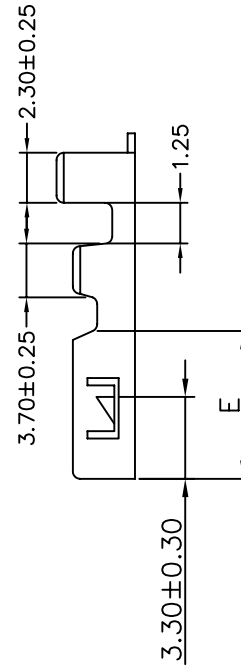
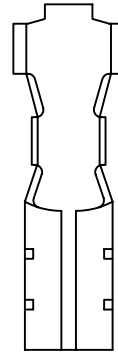
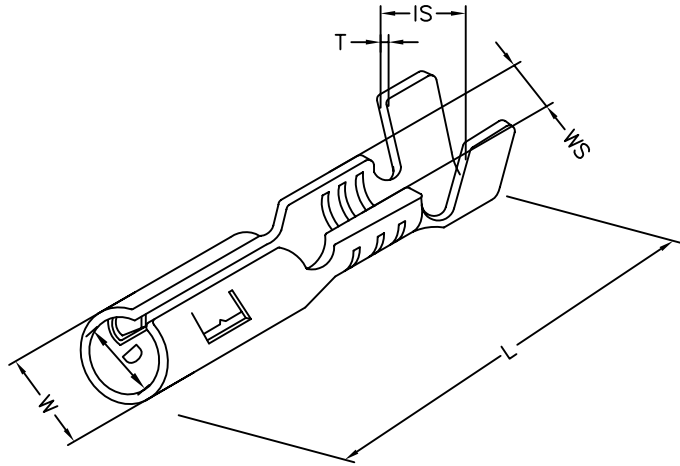


SPECIFICATION

Material : Brass
 Applicable Wires : AWG#14~18
 Insulation O.D: 2.90~3.60
 Standard packing : 10000pcs



| | | | |
|--------------|---------------|---------------------|---------------------|
| T: 0.40±0.03 | L: 17.40±0.20 | W: ϕ 4.70±0.25 | D: ϕ 3.90±0.25 |
| E: 7.46±0.30 | IS: 5.20±0.30 | WS: 3.50±0.30 | |

4UCON 元化興業股份有限公司
 4UCON TECHNOLOGY INC.

DRAWING No.
 02492

APPROVED BY MEI
 CHECKED BY BECKY
 DRAWING BY HZF

UNLESS OTHERWISE SPECIFIED TOLERANCES ARE
 .X ±0.38
 .XX ±0.25
 AWG.

SCALE NONE

REV. A0

UNIT mm

NO. REV.

A0 NEW RELEASE REVISIONS

MEI CHK DATE