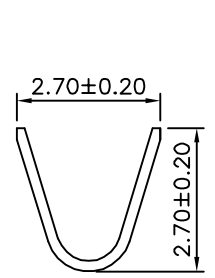
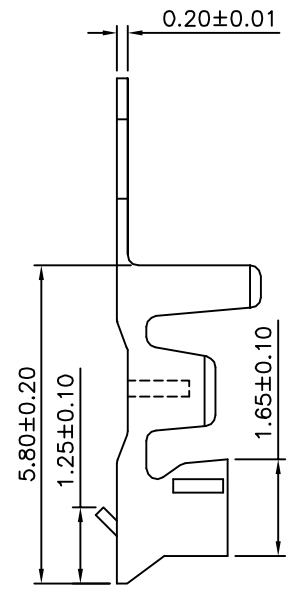
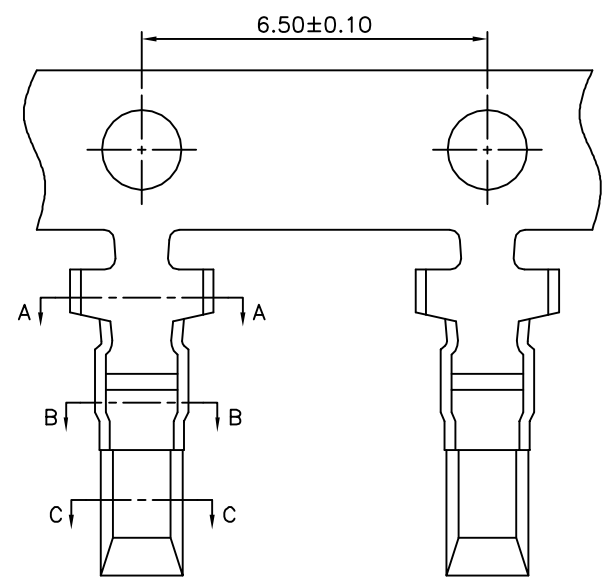
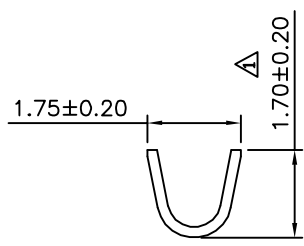


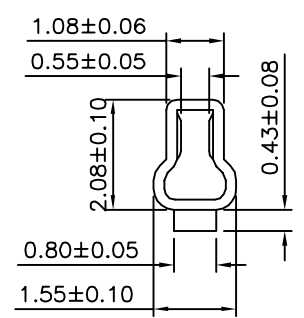
SPECIFICATION
 Material: Phosphor Bronze, Tin Plated
 Wire Range: #22~#28 AWG
 Q'ty: 10000 PCS/Reel
 RoHS Compliant



Section A-A



Section B-B



Section C-C

4UCON 元化興業股份有限公司
 4UCON TECHNOLOGY INC.

DRAWING No.		APPROVED BY		UNLESS OTHERWISE SPECIFIED TOLERANCES ARE X. ±0.15 .X* ±0.5* .X ±0.05 .XX* ±0.05* .XX ±0.01 .XXX ±0.002
02580		EMILY		
		CHECKED BY		
		HZF		
		DRAWING BY		UNIT mm
		SONG		
SCALE	NONE	REV.	A1	

NO.	REV.	REVISIONS	CHK	DATE
△ A1		Modify Data	HZF	05/28/2014
△ A0		NEW RELEASE	BECKY	04/06/2005