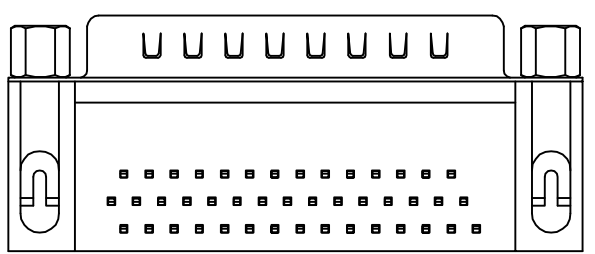
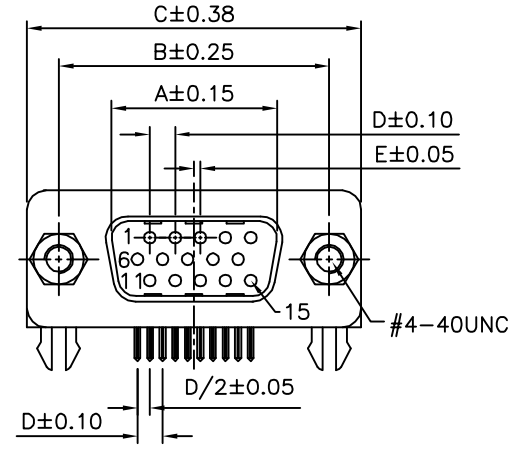
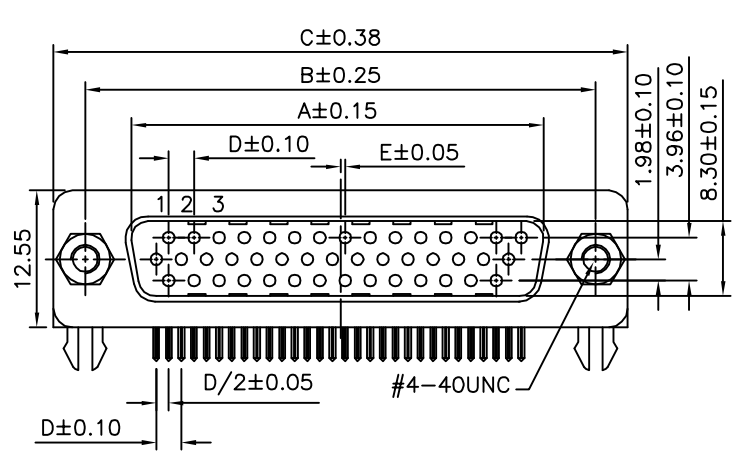
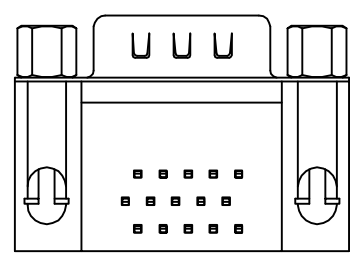


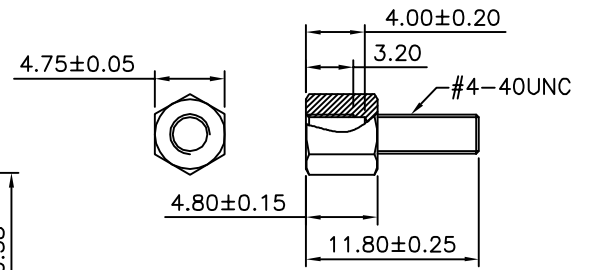
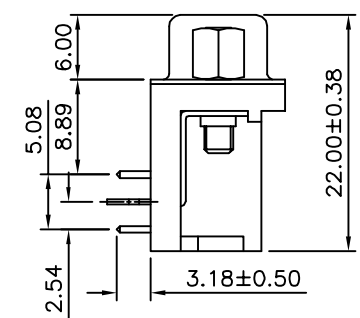
SPECIFICATION
 Current Rating:1 Amps
 Withstand Voltage:1000V For 1 Minute
 Contact Resistance:30 Milliohms Max.
 Insulation Resistance:1000 Megaohms Min.
 At 500V DC
 Operation Temperature:-50°C~+105°C
 Shell:SPCC,Nickel Plated
 Screw:12L14,Nickel Plated
 Insulator:PBT+30%G.F.(UL94V-0),Black
 Contact:Brass,Gold Flash On Contact Area,Tin
 Plated On Solder Tails,Over Nickel
 Boardlock:SPCC,Tin Plated
 RoHS Compliant



26,44,62 Pin



15 Pin



Pin	A	B	C	D	E
15	16.92	24.99	30.81	2.29	0.25
26	25.25	33.32	39.20	2.29	0.50
44	38.96	47.04	53.04	2.29	0.50
62	55.42	63.50	69.40	2.41	0.60

4UCON 元化興業股份有限公司
4UCON TECHNOLOGY INC.

DRAWING No.		APPROVED BY		UNLESS OTHERWISE SPECIFIED TOLERANCES ARE .X ±0.38 .X* ±3* .XX ±0.25 .XX* ±1* .XXX ±0.05 .XXX* ±0.5*
02644		EMILY		
		CHECKED BY		
		HZF		
		DRAWING BY		
		CYP		
SCALE	NONE	REV.	BO	UNIT
				mm

NO.	REV.	BO	NEW RELEASE	HZF	05/26/2015
			REVISIONS	CHK	DATE