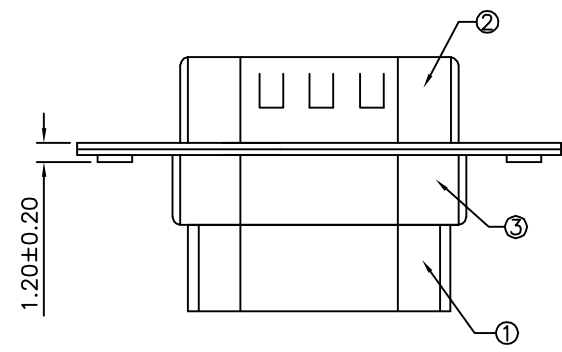
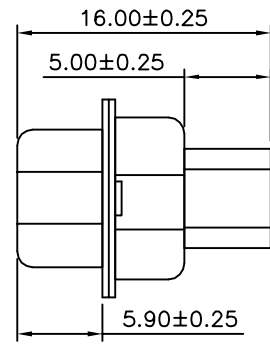
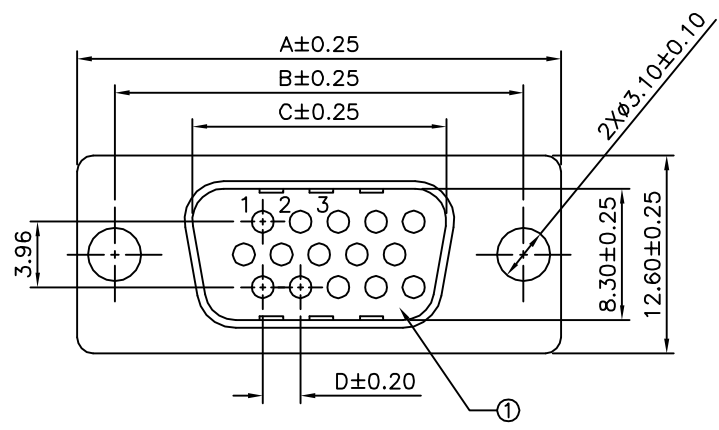


SPECIFICATION

Current Rating:1A Max.
 Dielectric Withstanding Voltage:500V AC For 1 Minute
 Contact Resistance:30 Milliohms Max.
 Insulation Resistance:1000 Megaohms Min. At 500V DC
 Temperature Range:-55°C~+105°C
 RoHS Compliant



Pin	A	B	C	D
15	30.80	25.00	16.92	2.29
26	39.20	33.32	25.25	2.29
44	53.05	47.04	38.96	2.29
62	69.40	63.50	55.42	2.41

No.	Part Name	Q'ty	Material	Remark
①	Housing	2	PBT,UL94V-0	Black
②	Front-Shell	1	Cold Rolled Steel	Nickel Plated Over Copper
③	Back-Shell	1	Cold Rolled Steel	Tin Plated Over Copper

4UCON 元化興業股份有限公司
 4UCON TECHNOLOGY INC.

DRAWING No.		APPROVED BY		UNLESS OTHERWISE SPECIFIED TOLERANCES ARE .X ±0.3 .XX ±0.20 .XXX ±0.100 ANG. ±1°
02652		EMILY		
		CHECKED BY		
		HZF		
		DRAWING BY		UNIT mm
		SONG		
SCALE	NONE	REV.	B1	

NO.	REV.	REVISIONS	CHK	DATE
△	B1	Modify Data	HZF	08/08/2013
△	B0	NEW RELEASE	HZF	11/15/2008