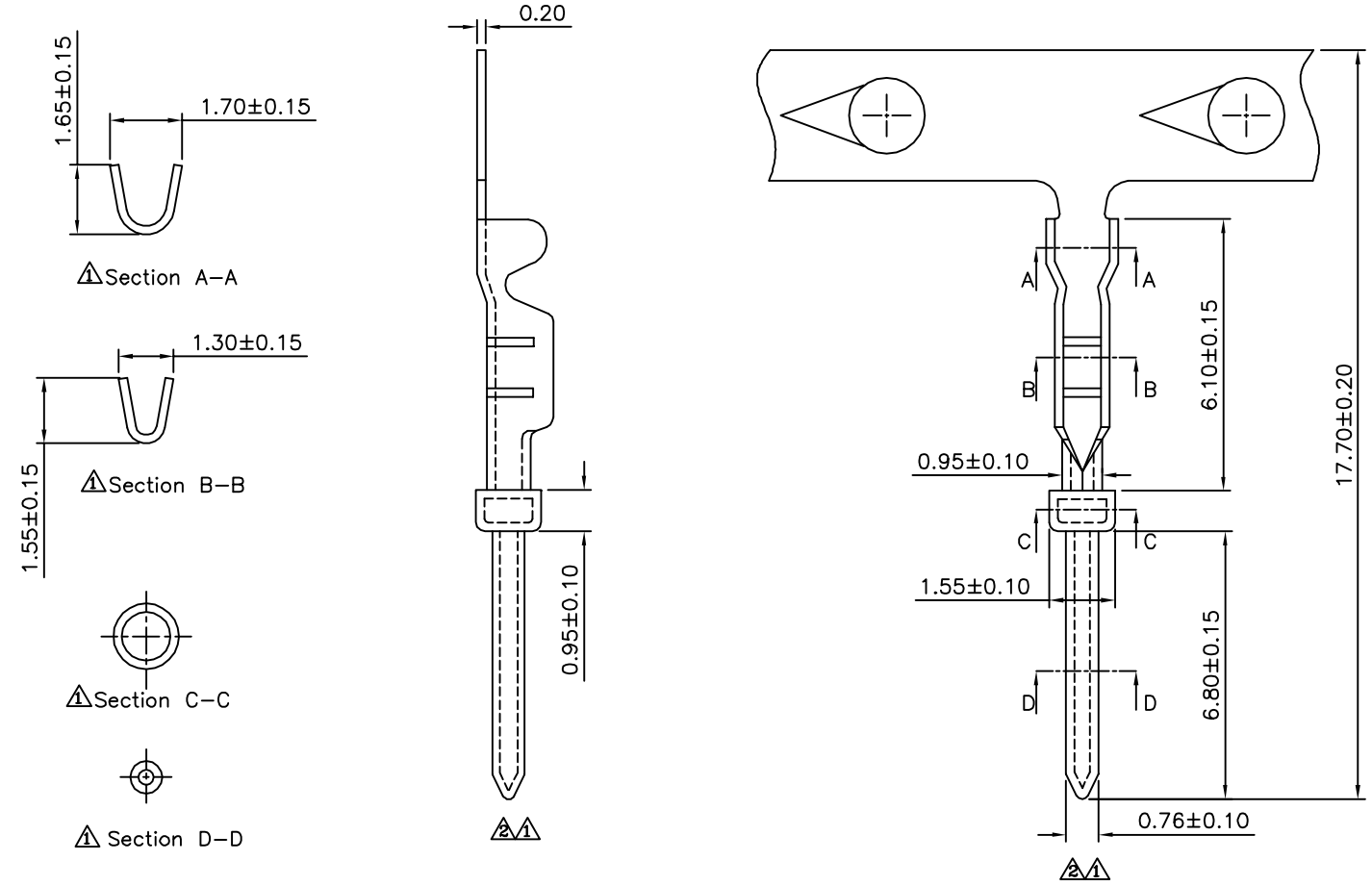


△△ SPECIFICATION
 Material: Bronze
 Selective Gold Flash Over Nickel
 Wire Range: AWG #28~#30
 Q'ty: 10000 PCS/Reel
 RoHS Compliant



4UCON 元化興業股份有限公司
 4UCON TECHNOLOGY INC.

DRAWING No.		APPROVED BY		UNLESS OTHERWISE SPECIFIED TOLERANCES ARE △ .X ±0.2 .XX ±0.10 .XXX ±0.05 ANG. ±1°
02660		EMILY		
		CHECKED BY		
		HZF		
		DRAWING BY		
		CYP		
SCALE	NONE	REV.	A2	UNIT
				mm

NO.	REV.	REVISIONS	CHK	DATE
△A2		Modify Data	HZF	07/13/2015
△A1		Modify Data	HZF	06/15/2010
△A0		NEW RELEASE		