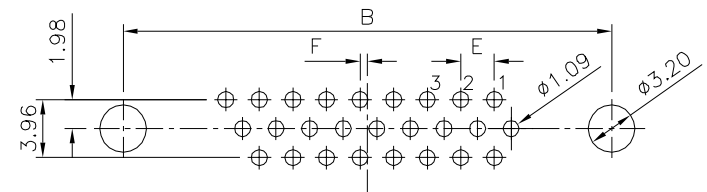
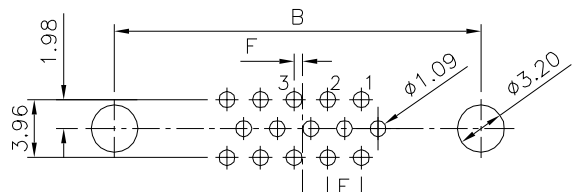


**SPECIFICATION**

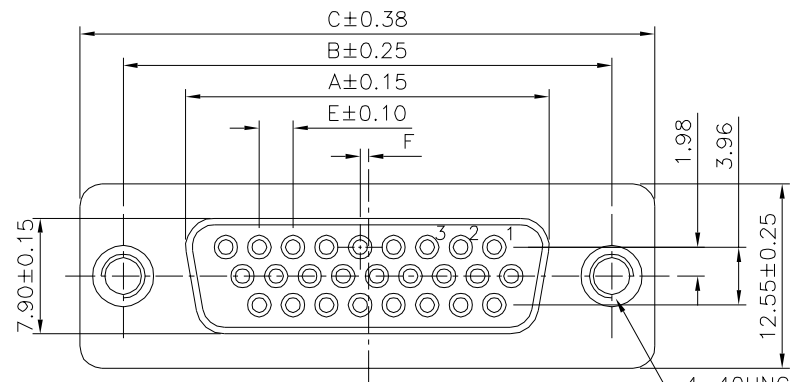
Current Rating:1 Amps  
 Withstand Voltage:500V For 1 Minute  
 Contact Resistance:30 Milliohms Max.  
 Insulation Resistance:1000 Megaohms Min.  
 At 500V DC  
 Operation Temperature:-55°C~+105°C  
 Insulator:PBT+30%G.F.(UL94V-0),White  
 Contact:Brass,Gold Flash Over Nickel  
 Shell:Steel,Front:Nickel Plated,Rear:Tin Plated  
 Boardlocks:Brass,Tin Plated  
 RoHS Compliant



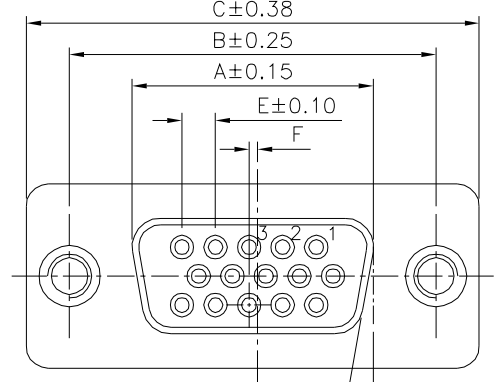
Recommended P.C.B. Layout(26,44,62 Pin)



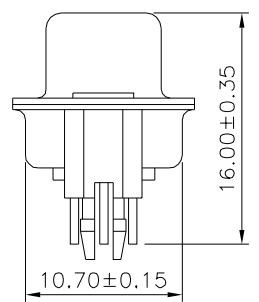
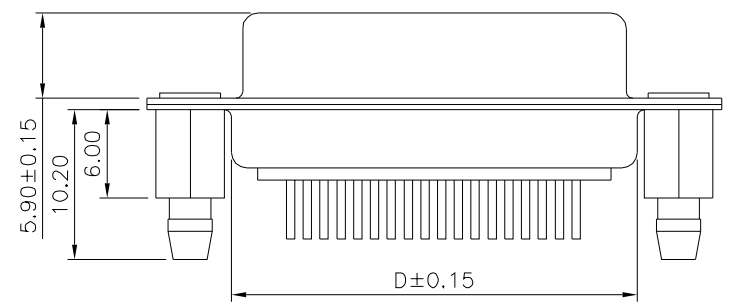
Recommended P.C.B. Layout(15 Pin)



26,44,62 Pin



15 Pin



Position	A	B	C	D	E	F
15	16.33	24.99	30.81	19.20	2.29	0.25
26	24.80	33.32	39.20	27.70	2.29	0.50
44	38.38	47.04	53.04	41.10	2.29	0.50
62	54.84	63.50	69.40	57.30	2.41	0.60

**4UCON** 元化興業股份有限公司  
 4UCON TECHNOLOGY INC.

DRAWING No.		APPROVED BY		UNLESS OTHERWISE SPECIFIED TOLERANCES ARE .X ±0.38 .X* ±3* .XX ±0.25 .XX* ±1* .XXX ±0.10 .XXX* ±0.5*	
02688		MEI			
		CHECKED BY HZF			
DRAWING BY CYP		BO		UNIT mm	
SCALE	NONE	REV.	BO	NO. REV.	DATE

△ BO	NEW RELEASE	HZF	04/15/2020
NO. REV.	REVISIONS	CHK	DATE