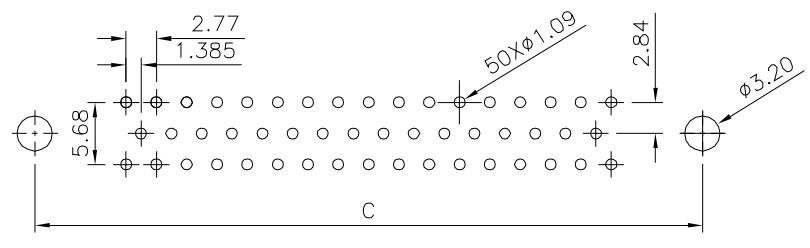
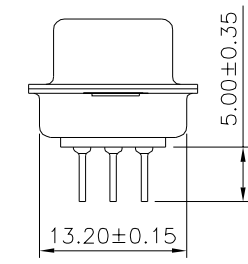
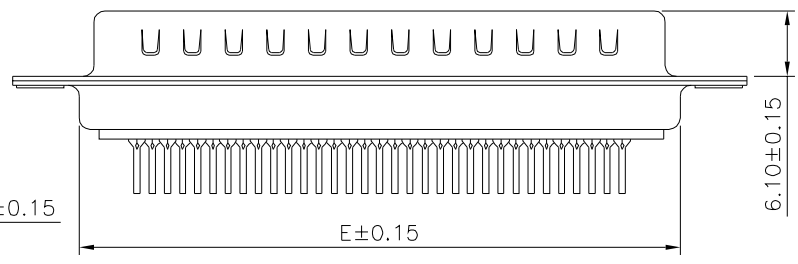
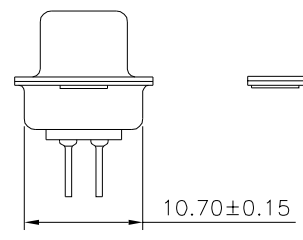
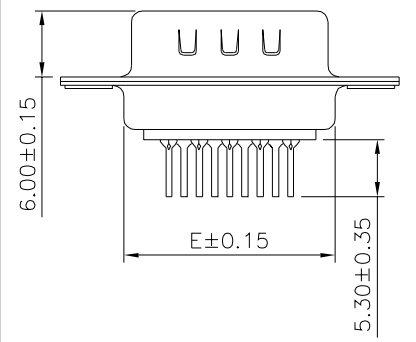
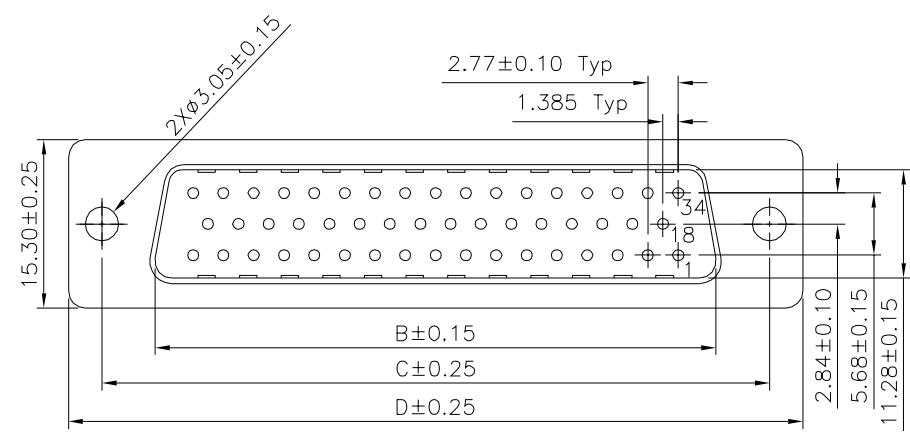
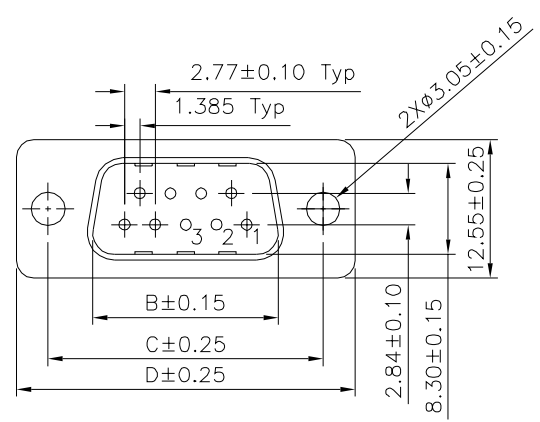


Recommended P.C.B. Layout



Recommended P.C.B. Layout

SPECIFICATION
 Current Rating:5 Amps
 Withstanding Voltage:1000V(One Minute)
 Insulation Resistance:1000 Megaohms Min.
 At 500V DC
 Contact Resistance:20 Milliohms Max.
 Operation Temperature:-50°C~+105°C
 Insulator:PBT+30%G.F.(UL94V-0),Black
 Contact:Brass,Gold Flash Over Nickel
 Shell:SPCC,Front:Nickel Plated,Rear:Tin Plated
 RoHS Compliant



09,15,25,37 Pin

50 Pin

Pin	B	C	D	E
09	16.92	24.99	30.81	19.20
15	25.25	33.32	39.20	27.70
25	38.96	47.04	53.04	41.10
37	55.42	63.50	69.40	57.30
50	52.81	61.00	67.00	55.10

4UCON 元化興業股份有限公司
 4UCON TECHNOLOGY INC.

DRAWING No.		APPROVED BY		UNLESS OTHERWISE SPECIFIED TOLERANCES ARE
02876		MEI		
		CHECKED BY		
		HZF		
		DRAWING BY		
		WSS		
SCALE	NONE	REV.	A0	.X ±0.38 .X* ±3* .XX ±0.25 .XX* ±1* .XXX ±0.05 .XXX* ±0.5*

UNIT	mm	NO.	REV.	AO	NEW RELEASE	CHK	HZF	07/06/2011
					REVISIONS		DATE	