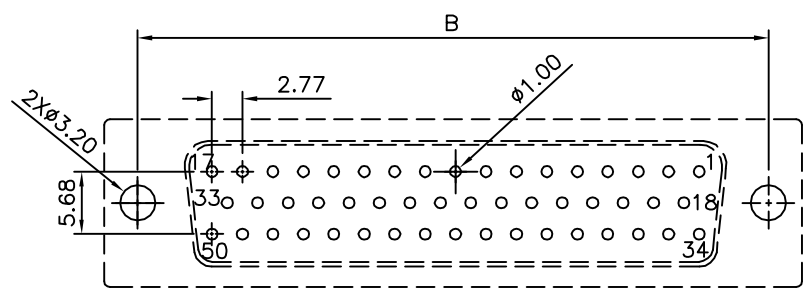
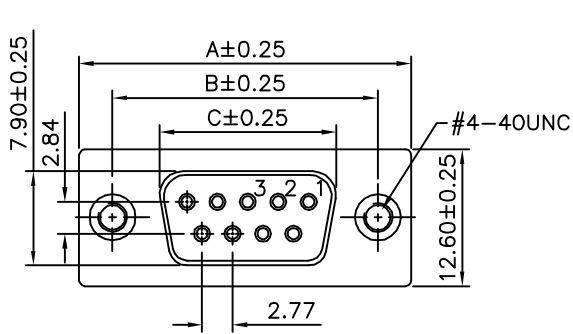


Recommended P.C.B. Layout

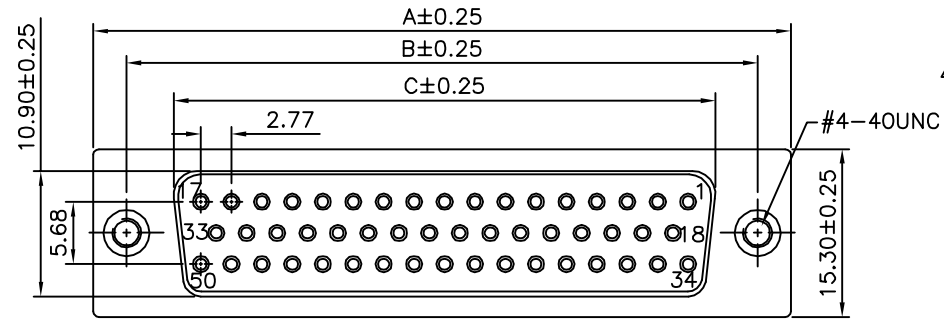


Recommended P.C.B. Layout

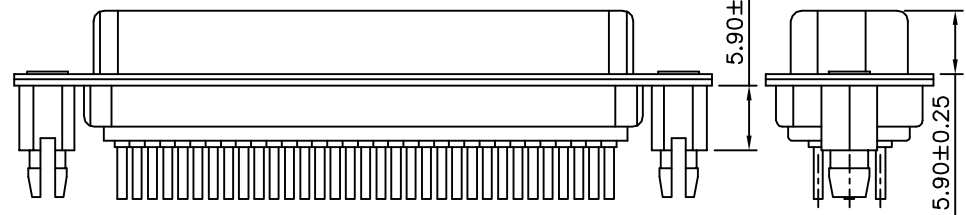
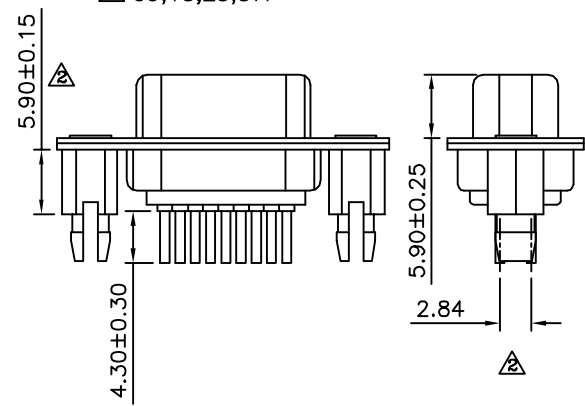
**△ SPECIFICATION**  
 Current Rating:1A Max.  
 Dielectric Withstanding Voltage:500V AC For 1 Minute  
 Contact Resistance:30 Milliohms Max.  
 Insulation Resistance:1000 Megaohms Min. At DC 500V  
 Temperature Range:-55°C~+105°C  
**△ Housing:**PBT(UL94V-0),White  
**△ Contact:**Brass,Gold Flash On Contact Area, Tin Plated On Solder Tails,Over Nickel  
**△ Front Shell:**Cold Rolled Steel,Tin Plated Over Copper  
**△ Back Shell:**Cold Rolled Steel,Tin Plated Over Copper  
 Boardlock:Brass,Nickel Plated  
 RoHS Compliant



09,15,25,37P



50P



Pin	Insertion Force	Extraction Force
09	5.5 Kgf Max.	1.7 Kgf Min.
15	6.5 Kgf Max.	1.9 Kgf Min.
25	7.5 Kgf Max.	2.7 Kgf Min.
37	9.0 Kgf Max.	3.2 Kgf Min.
50	12.0 Kgf Max.	3.7 Kgf Min.

Pin	A	B	C
09	30.80	25.00	16.30
15	39.20	33.32	24.70
25	53.05	47.04	38.40
37	69.40	63.50	54.80
50	67.10	61.00	52.20

**4U CON** 元化興業股份有限公司  
 4U CON TECHNOLOGY INC.

DRAWING No. 02909  
 APPROVED BY MEI  
 CHECKED BY HZF  
 DRAWING BY SONG  
 SCALE NONE REV. B3  
 UNIT mm

UNLESS OTHERWISE SPECIFIED TOLERANCES ARE  
 .X ±0.30  
 .XX ±0.20  
 .XXX ±0.10  
 ANG. ±1°

NO.	REV.	REVISIONS	CHK	DATE
△ B3		Modify Data	HZF	09/02/2014
△ B2		Modify Data	HZF	08/27/2013
△ B1		Modify Data	HZF	07/21/2010
△ B0		NEW RELEASE	HZF	06/10/2009