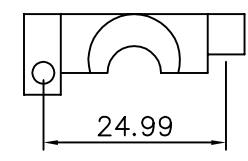
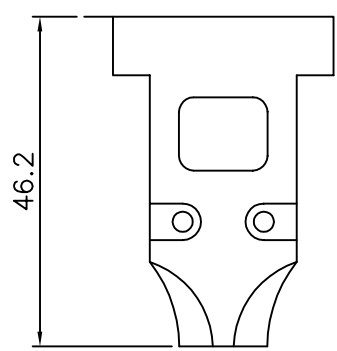
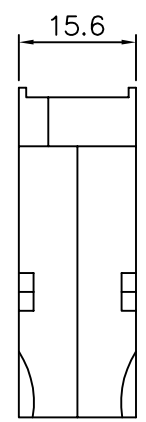
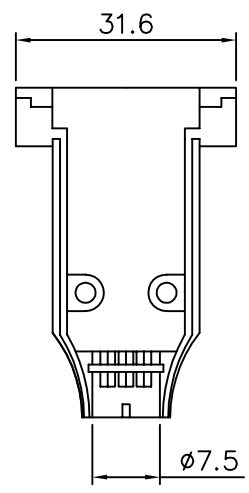


**SPECIFICATIONS**  
 Material: Zinc Alloy, Ni Plated



**4UCON** 元化興業股份有限公司  
 4UCON TECHNOLOGY INC.

|             |      |             |   |   |
|-------------|------|-------------|---|---|
| DRAWING No. |      | APPROVED BY |   | UNLESS OTHERWISE SPECIFIED TOLERANCES ARE |
| 03001       |      | MEI         |   |   |
|             |      | RAN         |   |   |
|             |      | DRAWING BY  |   | .X ±0.38                                  |
|             |      | HZF         |   | .XX ±0.25                                 |
|             |      | A           |   | ANG.                                      |
| SCALE       | NONE | REV.        | A | UNIT                                      |
|             |      |             |   | mm  |

|      |           |     |      |
|------|-----------|-----|------|
| AREA | REVISIONS | CHK | DATE |
|      |           |     |      |
|      |           |     |      |
|      |           |     |      |