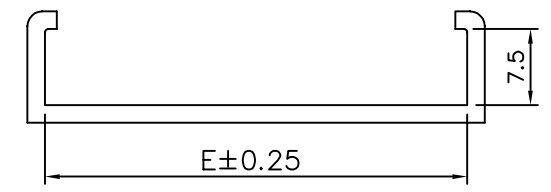


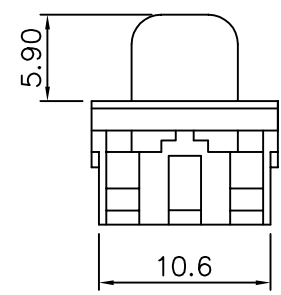
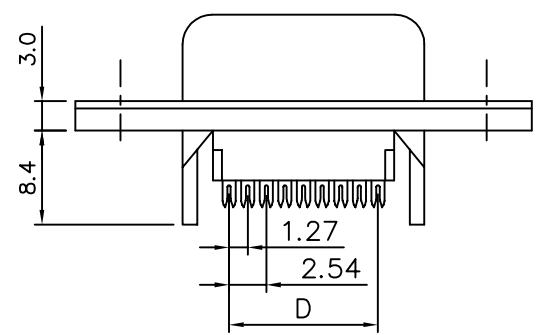
Middle Cover

**SPECIFICATIONS**

Current Rating : 1 AMP  
 Dielectric Withstanding Voltage :  
     AC 500V For 1 Minute  
 Contact Resistance : 30 Milliohms Max.  
     At DC 100mA  
 Insulator Resistance : 1000Megohms Min.  
     At DC 500V  
 Operating Temperature : -55°C To +105°C  
 Single Contact Insertion Force : 500g Max.  
 Single Contact Withdrawal Force : 30g Min.  
 Contact : Phosphor Bronze, Tin Plated  
 Housing : PBT & 30% Glass Fiber UL 94V-0



Stainless Steel Strain Relief



Circuits	A	B	C	D
09	16.33	24.99	31.16	10.16
15	24.66	33.32	39.42	17.78
25	38.38	47.04	53.34	30.48
37	54.84	63.50	69.68	45.72

**4UCON** 元化興業股份有限公司  
 4UCON TECHNOLOGY INC.

DRAWING No.		APPROVED BY		UNLESS OTHERWISE SPECIFIED TOLERANCES ARE .X ±0.38 .XX ±0.25 .XXX
03045		MEI		
		CHECKED BY		
		RAN		
		DRAWING BY		
		HZF		
SCALE	NONE	REV.	A	UNIT
				mm

AREA	REVISIONS	CHK	DATE