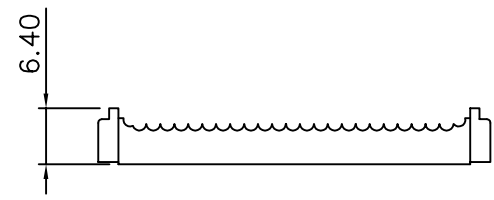
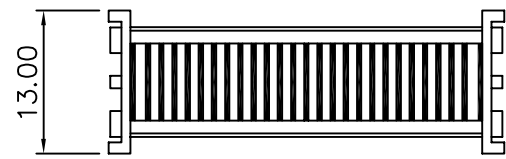
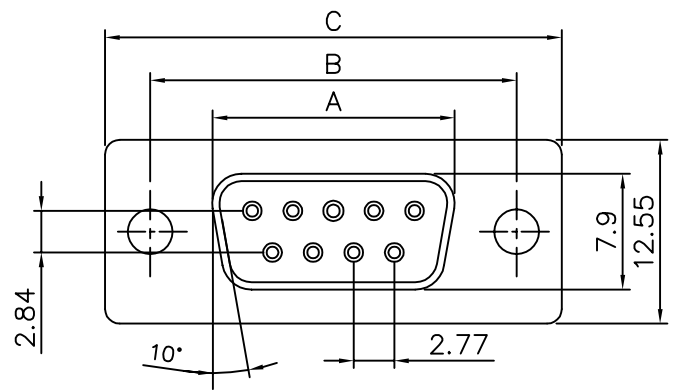
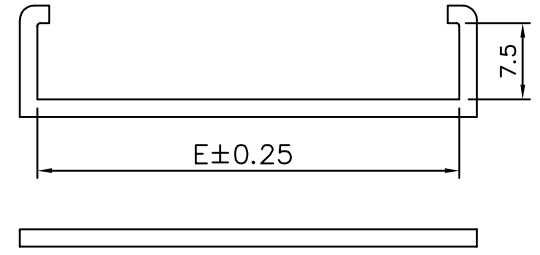


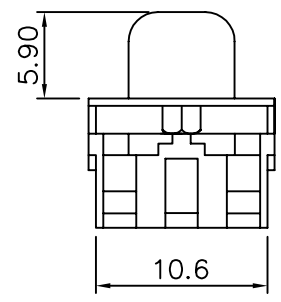
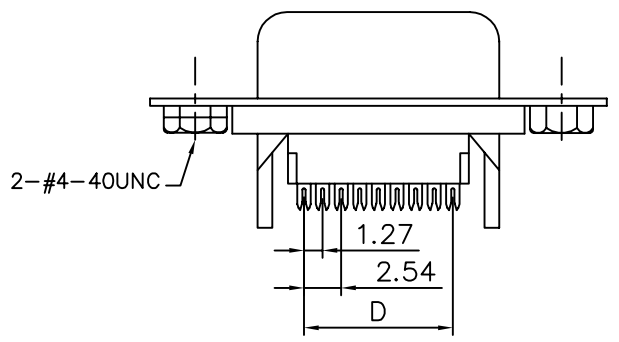
SPECIFICATIONS
 Current Rating : 1 AMP
 Dielectric Withstanding Voltage :
 AC 500V For 1 Minute
 Contact Resistance : 30 Milliohms Max.
 At DC 100mA
 Insulator Resistance : 1000Megohms Min.
 At DC 500V
 Operating Temperature : -55°C To +105°C
 Single Contact Insertion Force : 500g Max.
 Single Contact Withdrawal Force : 30g Min.
 Contact : Phosphor Bronze, Tin Plated
 Housing : PBT &30% Glass Fiber UL 94V-0



Middle Cover



Stainless Steel Strain Relief



| Circuits | A | B | C | D | E |
|----------|-------|-------|-------|-------|-------|
| 09 | 16.33 | 24.99 | 31.16 | 10.16 | 16.40 |
| 15 | 24.66 | 33.32 | 39.42 | 17.78 | 24.40 |
| 25 | 38.38 | 47.04 | 53.34 | 30.48 | 38.80 |
| 37 | 54.84 | 63.50 | 69.68 | 45.72 | 55.00 |

4UCON 元化興業股份有限公司
 4UCON TECHNOLOGY INC.

| | | | | |
|-------------|------|-------------|---|--|
| DRAWING No. | | APPROVED BY | | UNLESS OTHERWISE SPECIFIED TOLERANCES ARE .X ±0.10 .XX ±0.05 .XXX |
| 03063 | | MEI | | |
| | | CHECKED BY | | |
| | | RAN | | |
| | | DRAWING BY | | |
| | | HZF | | |
| SCALE | NONE | REV. | A | UNIT mm |

| | | | |
|------|-----------|-----|------|
| AREA | REVISIONS | CHK | DATE |
| | | | |
| | | | |
| | | | |