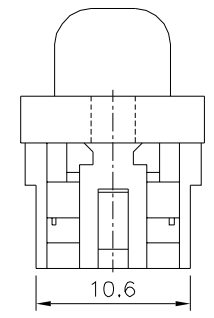
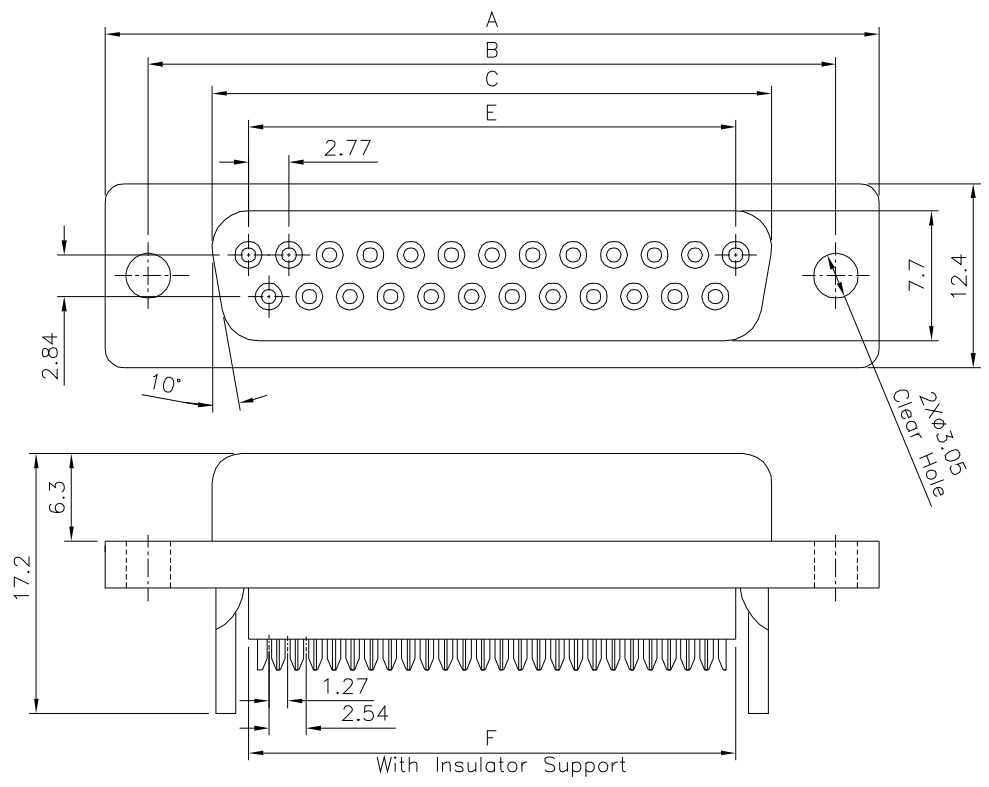


SPECIFICATION
 Current Rating:3 Amp
 Voltage Rating:250V AC/RMS 60Hz
 Contact Resistance:20 Milliohms Max. At 1AMP DC
 Insulation Resistance:1000 Megaohms At 500V DC
 Dielectric Withstanding Voltage:1000V AC/RMS 60Hz
 For 1 Minute
 ⚠ Operation Temperature: -25°C~+85°C
 Insulator:PBT+G.F.(UL94V-0),Blue
 Contact:Brass,Gold Flash On Contact Area,
 Tin Plated On Solder Tails,Over Nickel
 RoHS Compliant



Pin	A	B	C	E	F
09	30.50	24.99	16.00	11.08	13.10
15	39.00	33.30	24.27	19.39	20.70
25	53.05	47.04	38.22	33.24	33.68
37	69.40	63.50	53.50	49.86	50.30

4UCON 元化興業股份有限公司
 4UCON TECHNOLOGY INC.

DRAWING No.		APPROVED BY		UNLESS OTHERWISE SPECIFIED TOLERANCES ARE X. ±0.38 X.* ±3* .X ±0.25 .X.* ±1.0* .XX ±0.13
03078		MEI		
		CHECKED BY		
		HZF		
		DRAWING BY		
		CYP		
SCALE	NONE	REV.	B1	UNIT
				mm

NO.	REV.	REVISIONS	CHK	DATE
⚠	B1	Modify Data	HZF	04/20/2022
⚠	B0	NEW RELEASE	HZF	05/29/2017