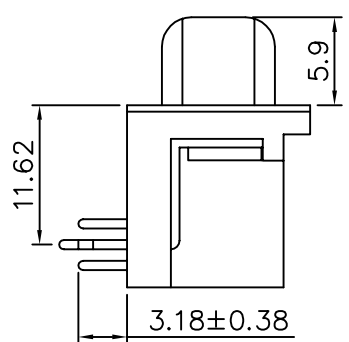
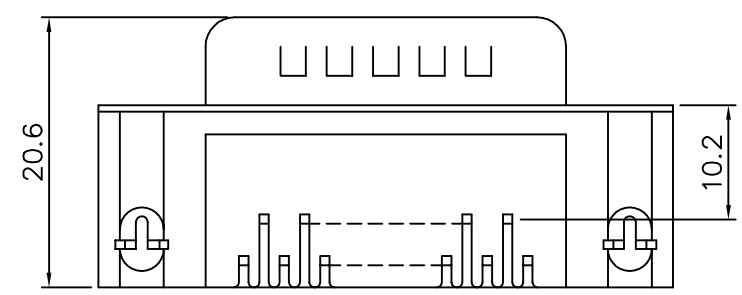
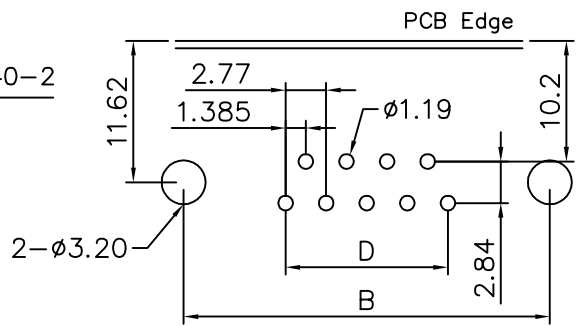
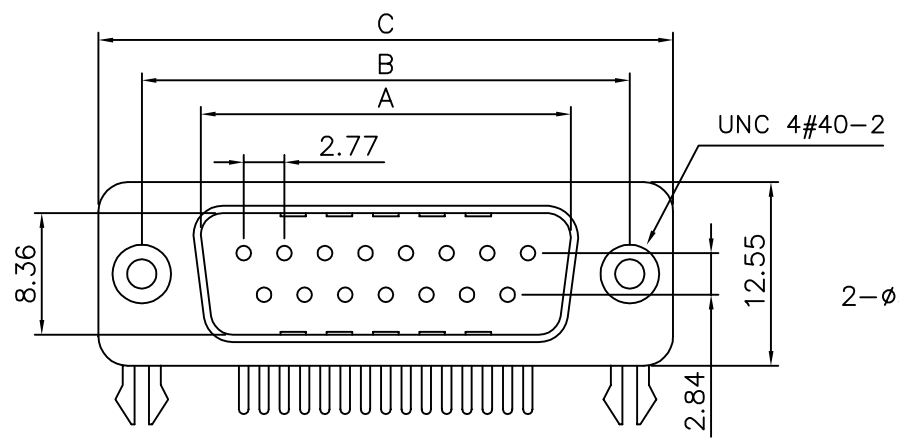


**SPECIFICATIONS**

Current Rating: 5A  
 Dielectric Withstanding Voltage :  
 AC 1000V R.M.S.  
 Insulation Resistance : 1000 Megohms  
 Min. At DC 500V  
 Contact Resistance : 15 Milliohms Max. 10 Ses.  
 Operating Temperature : -55°C To +105°C  
 Insulator : PBT+30% Glass Fiber  
 (UL 94V-0)  
 Contact : Brass, Tin Plated  
 Shell : Steel Tin Or Nickel Plated



Position	A±0.20	B±0.25	C±0.38	D
9	16.92	24.99	30.80	11.08
15	25.25	33.32	39.10	19.39
25	38.96	47.04	53.00	33.24
37	55.42	63.50	69.32	49.86

**4UCON** 元化興業股份有限公司  
 4UCON TECHNOLOGY INC.

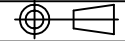
DRAWING No.  
 03121

APPROVED BY MEI  
 CHECKED BY RAN  
 DRAWING BY HZF

UNLESS OTHERWISE SPECIFIED  
 TOLERANCES ARE  
 .X ±0.25  
 .XX ±0.15  
 .XXX ±0.05

SCALE NONE REV. A

UNIT mm



AREA REVISIONS CHK DATE