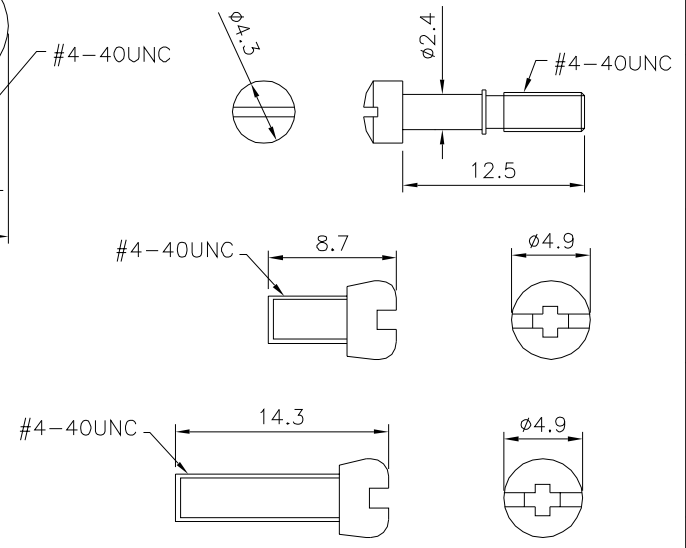
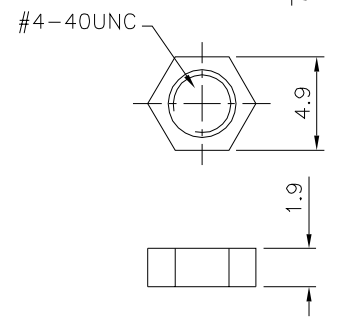
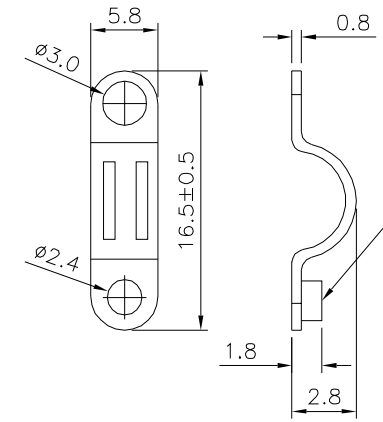
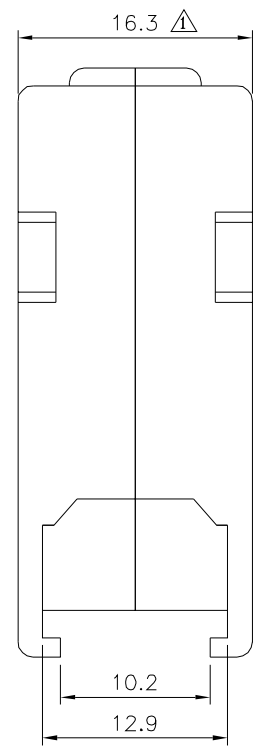
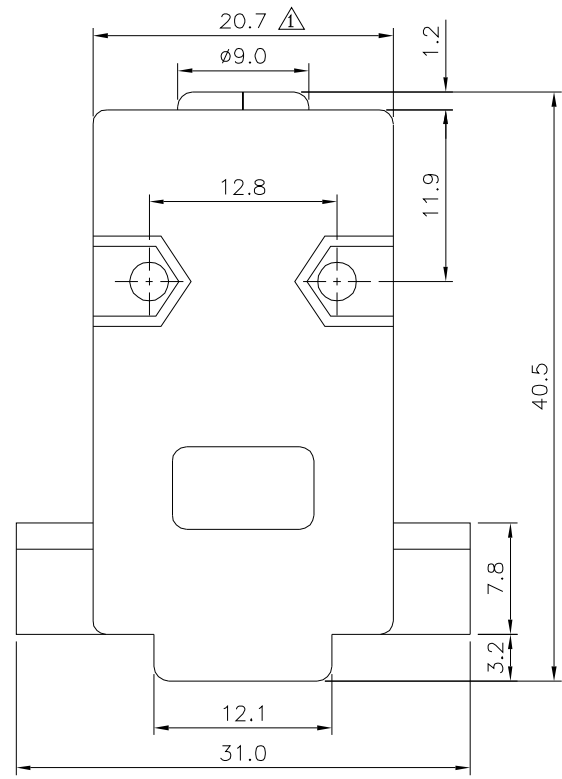


**SPECIFICATION**  
 Insulator:ABS(UL94HB),Gray  
 Screw,Nut,Clip And Other:Steel,Nickel Plated  
 Packing:1 Set/Bag  
 RoHS Compliant



**4UCON** 元化興業股份有限公司  
 4UCON TECHNOLOGY INC.

DRAWING No.  $\Delta$   
 03142

APPROVED BY MEI  
 CHECKED BY HZF  
 DRAWING BY CYP  
 REV. B1

UNLESS OTHERWISE SPECIFIED TOLERANCES ARE  
 X. ±0.3  
 .X ±0.3  
 .XX ±0.2  
 ANG. ±5°

SCALE NONE

NO.	REV.	REVISIONS	CHK	DATE
$\Delta$	B1	Modify Data	HZF	01/14/2019
$\Delta$	B0	NEW RELEASE	HZF	09/06/2018