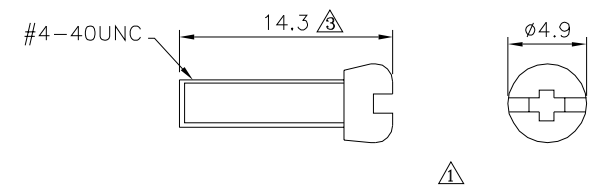
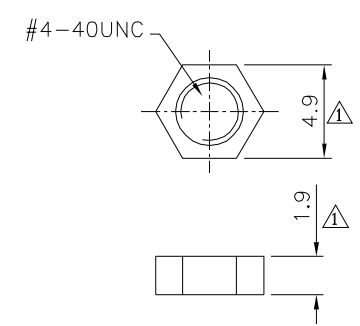
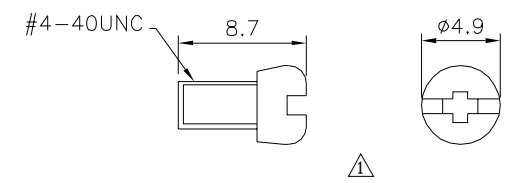
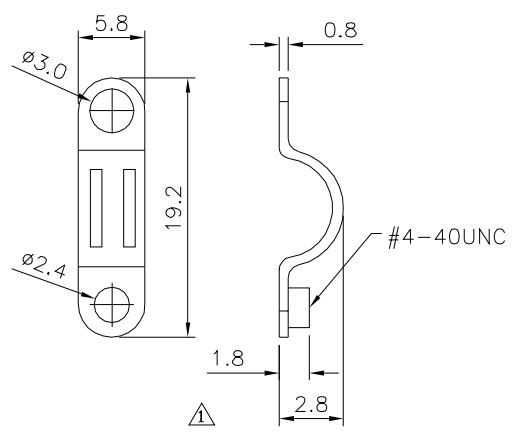
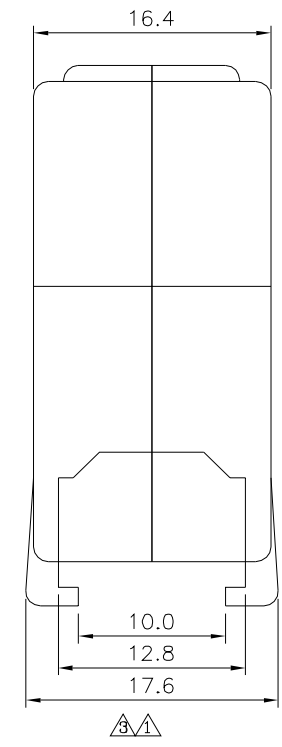
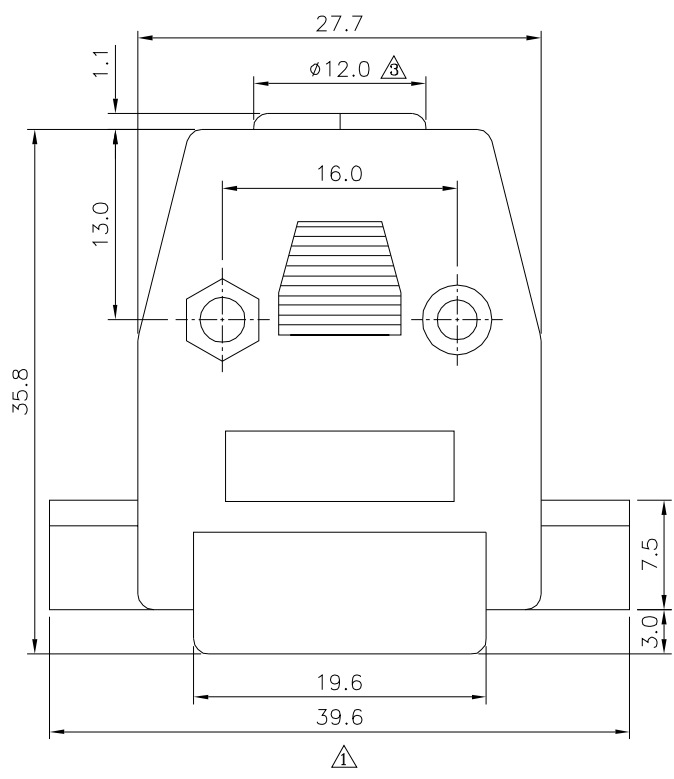


△ SPECIFICATION
 Insulator:ABS(UL94HB),Grey
 Screw,Nut&SR:Steel,Nickel Plated
 Packing:One Bag/Set
 RoHS Compliant



4UCON 元化興業股份有限公司
 4UCON TECHNOLOGY INC.

| | | | | |
|-------------|------|-------------|-----|---|
| DRAWING No. | | APPROVED BY | | UNLESS OTHERWISE SPECIFIED TOLERANCES ARE △ X. ±0.6 △ .X ±0.5 △ .XX ±0.2 ANG. ±5° |
| 03147 | | MEI | | |
| | | CHECKED BY | HZF | |
| | | DRAWING BY | HAO | |
| SCALE | NONE | REV. | A3 | UNIT mm |

| NO. | REV. | REVISIONS | CHK | DATE |
|-----|------|-------------|-----|------------|
| △3 | A3 | Modify Data | HZF | 12/07/2023 |
| △2 | A2 | Modify Data | HZF | 09/24/2014 |
| △1 | A1 | Modify Data | HZF | 03/14/2013 |
| △0 | A0 | NEW RELEASE | HZF | 05/07/2008 |