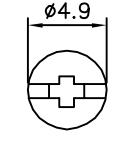
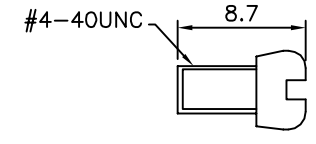
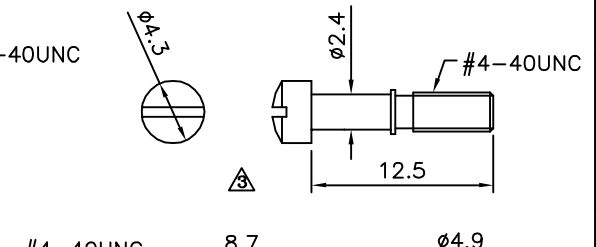
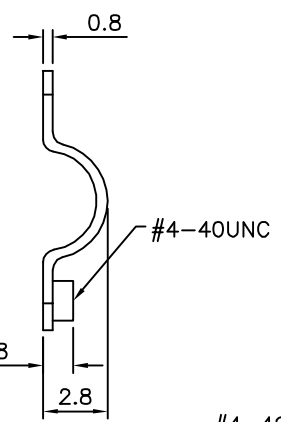
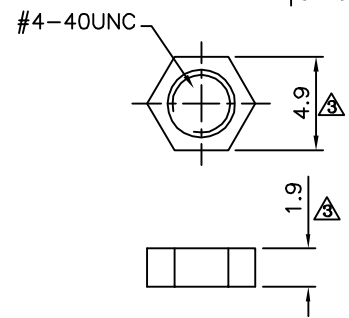
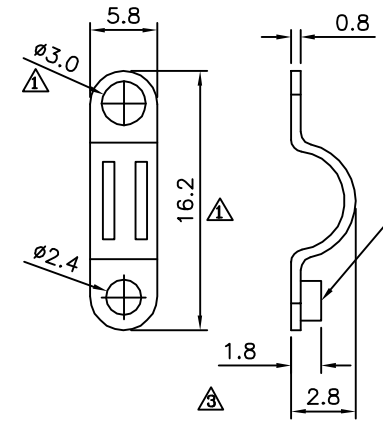
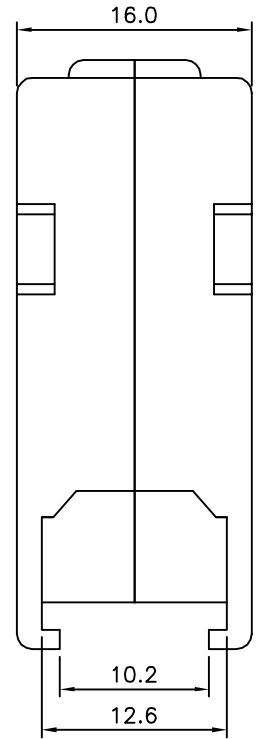
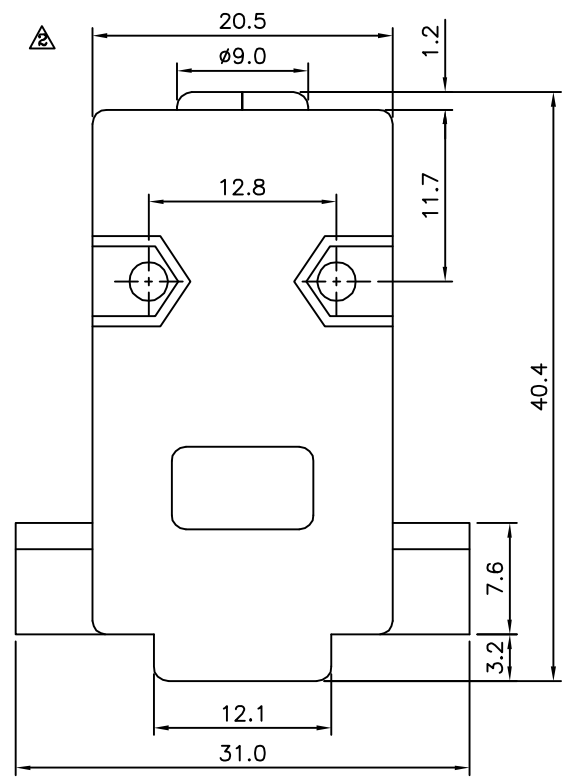
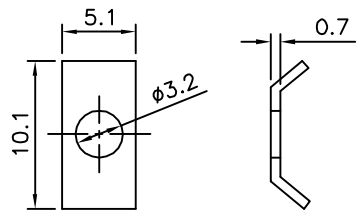
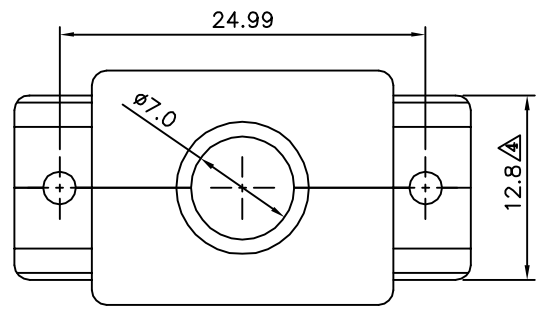


△ SPECIFICATION
 Insulator:ABS(UL94HB)
 Screw,Nut,Clip And Other:Steel,Nickel Plated

RoHS Compliant

Item No.	Color & Finish
03165	Black
03141	Gray



4UCON 元化興業股份有限公司
 4UCON TECHNOLOGY INC.

DRAWING No.		APPROVED BY		UNLESS OTHERWISE SPECIFIED TOLERANCES ARE △ X. ±0.5 .X ±0.5 .XX ±0.2 ANG. ±5°
03165		EMILY		
		CHECKED BY HZF		
		DRAWING BY SAN		
SCALE	NONE	REV.	A4	UNIT mm

NO.	REV.	REVISIONS	CHK	DATE
△ A4		Modify Data	HZF	05/12/2014
△ A3		Modify Data	HZF	12/28/2012
△ A2		Modify Data	HZF	02/12/2009
△ A1		Modify Data	HZF	11/07/2008
△ A0		NEW RELEASE	HZF	01/23/2008