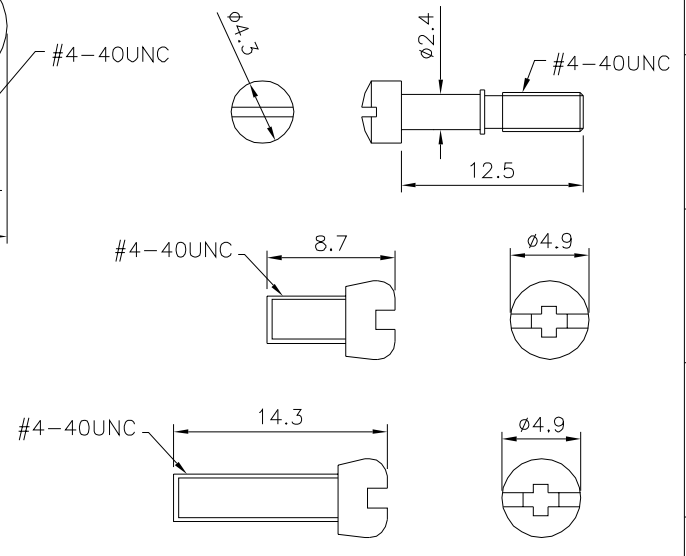
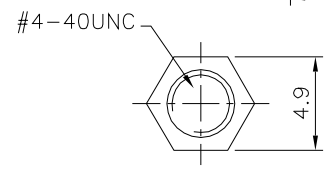
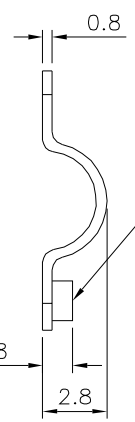
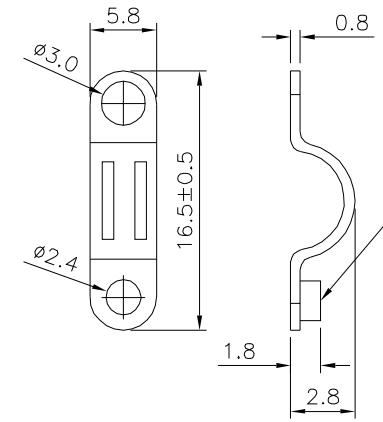
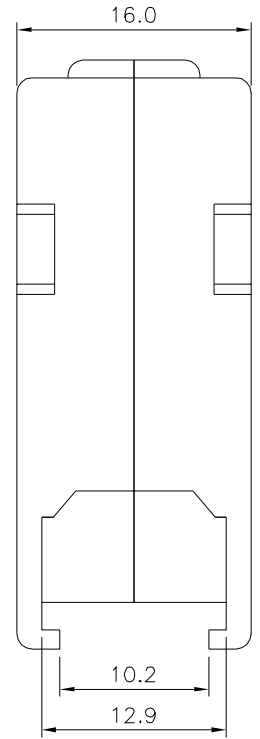
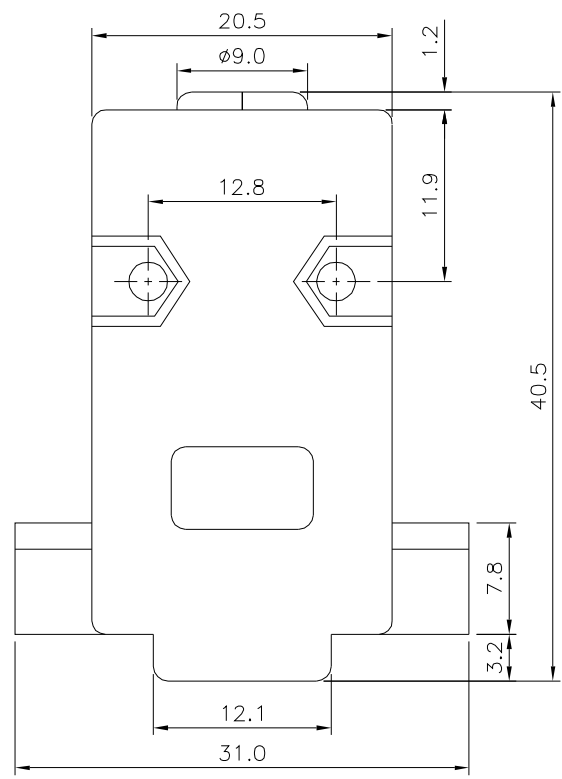


SPECIFICATION
 Insulator:ABS(UL94HB)
 Screw,Nut,Clip And Other:Steel,Nickel Plated
 Packing:1 Set/Bag
 RoHS Compliant



4UCON 元化興業股份有限公司
 4UCON TECHNOLOGY INC.

DRAWING No.		APPROVED BY		UNLESS OTHERWISE SPECIFIED TOLERANCES ARE X. ±0.3 .X ±0.3 .XX ±0.2 ANG. ±5°
03174		MEI		
		CHECKED BY HZF		
		DRAWING BY CYP		
SCALE	NONE	REV.	A0	UNIT mm

NO.	REV.	REVISIONS	CHK	DATE
△ A0		NEW RELEASE	HZF	07/14/2018