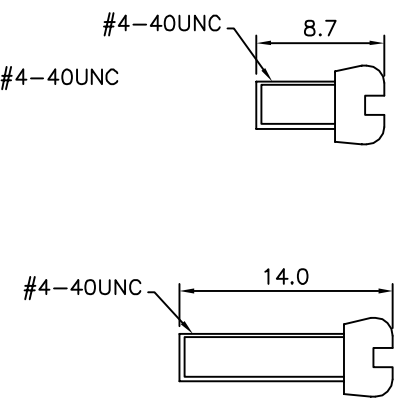
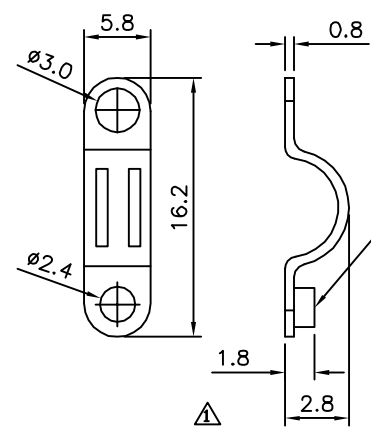
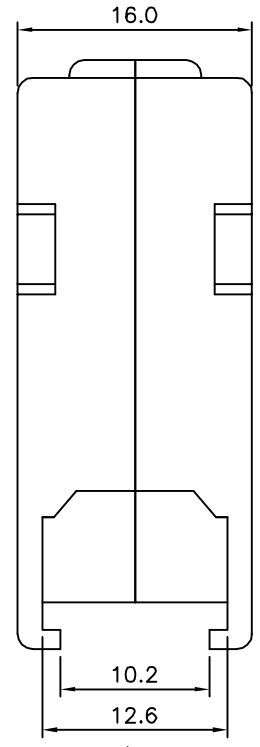
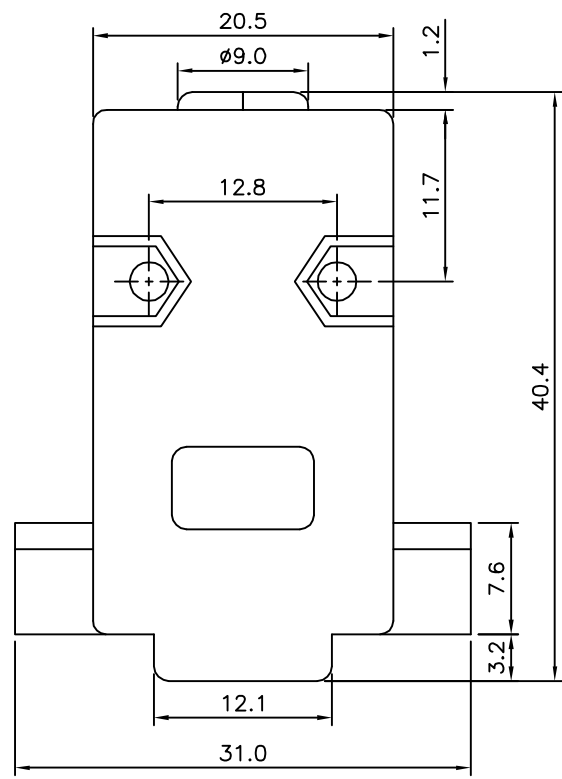


SPECIFICATION
 Insulator:ABS(UL94HB)
 Screw,Nut,Clip And Other:Steel,Nickel Plated
 Packing:1 Set/Bag
 RoHS Compliant

Insulator Color	Item No.
Chrome Plated	03175
Black	03168
Beige	03159
Gray	03143



4UCON 元化興業股份有限公司
 4UCON TECHNOLOGY INC.

DRAWING No.		APPROVED BY		UNLESS OTHERWISE SPECIFIED TOLERANCES ARE △ X. ±0.5 .X ±0.3 .XX ±0.2 ANG. ±5°
03175		EMILY		
		CHECKED BY		
		HZF		
		DRAWING BY		UNIT mm
		SONG		
SCALE	NONE	REV.	A1	

NO.	REV.	REVISIONS	CHK	DATE
△ A1		Modify Data	HZF	01/16/2013
△ A0		NEW RELEASE	HZF	05/07/2008