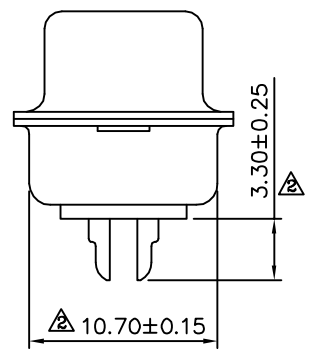
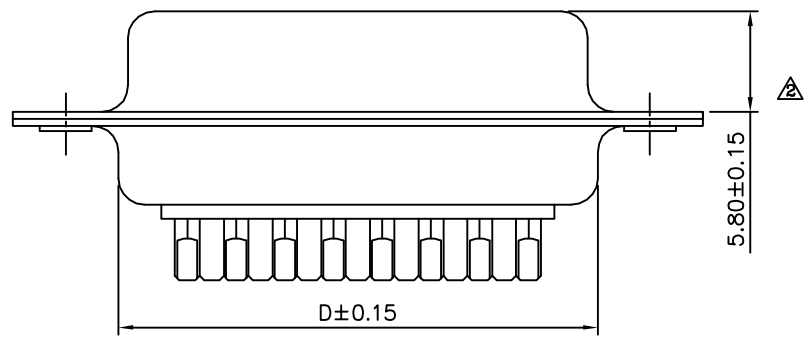
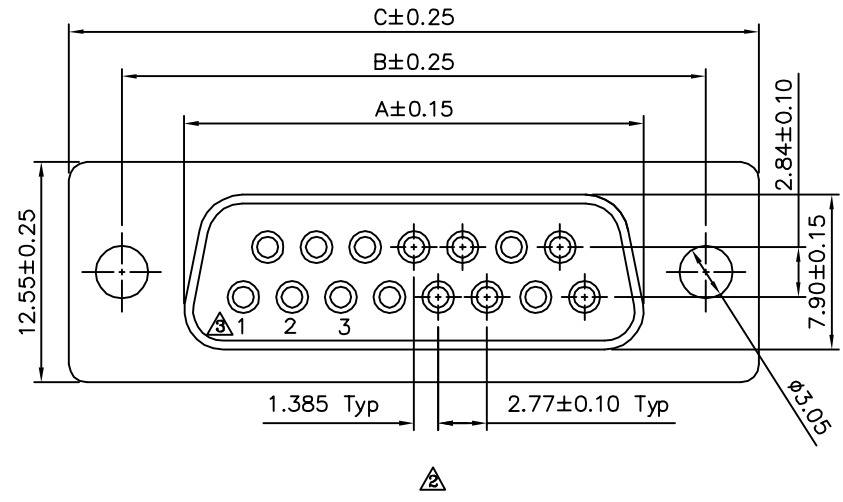


△ SPECIFICATION
 △ Current Rating:5 Amps
 Withstanding Voltage:1000V(One Minute)
 Contact Resistance:20 Milliohms Max.
 Insulation Resistance:1000 Megaohms Min.
 At DC 500V
 Operating Temperature:-50°C~+105°C
 Insulator:PBT+30%G.F.,(UL94V-0),White
 Contact:Brass,Gold Flash On Contact Area
 Tin Plated On Solder Tail,Under Plated Nickel
 Shell:SPCC,Nickel Plated Front,Tin Plated Rear
 RoHS Compliant



△ Pin	A	B	C	D
09	16.33	24.99	30.81	19.20
15	24.80	33.32	39.20	27.70
25	38.38	47.04	53.04	41.10
37	54.84	63.50	69.40	57.30

4UCON 元化興業股份有限公司
 4UCON TECHNOLOGY INC.

DRAWING No.		APPROVED BY		UNLESS OTHERWISE SPECIFIED TOLERANCES ARE .X ±0.38 .X* ±3° .XX ±0.25 .XX* ±1° .XXX ±0.05 .XXX* ±0.5°
03307		MEI		
SCALE	NONE	CHECKED BY	HZF	
		DRAWING BY	WSS	UNIT
		REV.	A3	mm

NO.	REV.	REVISIONS	CHK	DATE
△ A3		Modify Data	HZF	07/22/2011
△ A2		Modify Data	HZF	07/11/2011
△ A1		Modify Dim.	SHIN	02/15/2007
△ A0		NEW RELEASE	BECKY	02/06/2006