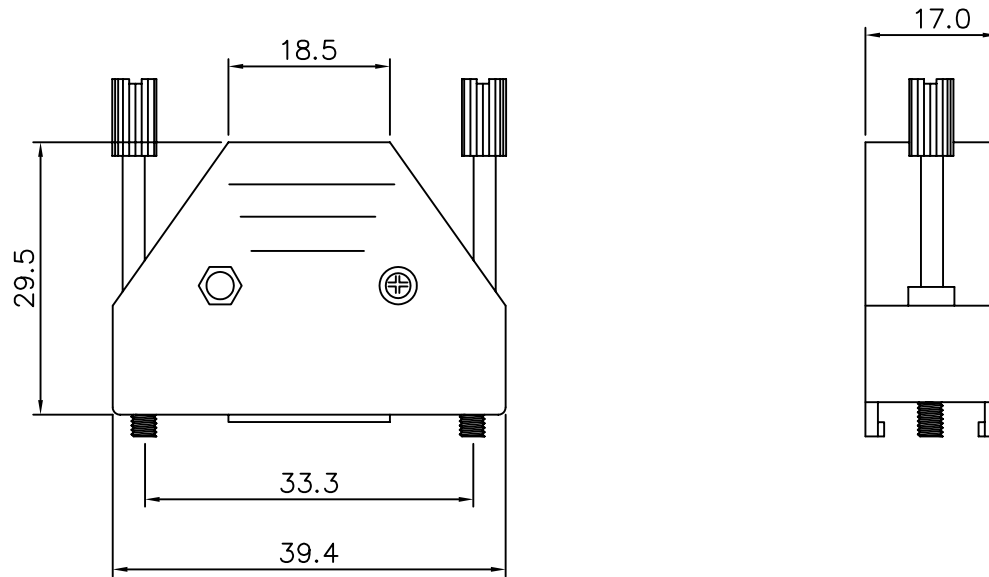


SPECIFICATIONS

Color: Black
 Long Screw*2
 Packing: Bulk



4UCON 元化興業股份有限公司
 4UCON TECHNOLOGY INC.

DRAWING No.
 03382

APPROVED BY MEI
 CHECKED BY RAN
 DRAWING BY HZF

UNLESS OTHERWISE SPECIFIED TOLERANCES ARE
 .X ±0.38
 .XX ±0.25
 AWG.

SCALE NONE REV. A

UNIT mm

AREA	REVISIONS	CHK	DATE